



TABLE OF CONTENTS

PRODUCT OVERVIEW

Unit Features	3
Entry System Codes: Square-Top	5
Handing Configurations.....	6
Minimum and Maximum Guidelines.....	7
Measurement Conversions	8
Net Clear Opening	9
Overhang Requirement for Warranty Coverage	10

PRODUCT DETAILS

Section Details – Frame Options	11
Section Details – Operating – Single- 1- $\frac{3}{4}$ " Door	12
Section Details – Operating – Pair – 1- $\frac{3}{4}$ " Door	13
Section Details – Operating – Single – 2- $\frac{1}{4}$ " Door.....	14
Section Details – Operating – pair – 2- $\frac{1}{4}$ " Door.....	15
Section Details – Single, Pair, Sidelite – 1- $\frac{3}{4}$ " Door.....	16
Section Details – Single, Pair, Sidelite – 2- $\frac{1}{4}$ " door	17
Section Details – In-sash Transom.....	18
Section Details – Direct Set Transom	19
Section Details – Vertical Mulling Options.....	20
Section Details – Horizontal Mulling Options.....	21
Sticking Options – 1- $\frac{3}{4}$ " door	22
Sticking Options – 2- $\frac{1}{4}$ " door	23
Panel Options – 1- $\frac{3}{4}$ " door	24
Panel Options – 2- $\frac{1}{4}$ " door	25
Panel Options – 2- $\frac{1}{4}$ " door	26
Simulated Divided Lites (SDL) Options – 1- $\frac{3}{4}$ " Door.....	27
Simulated Divided Lites (SDL) Options – 2- $\frac{1}{4}$ " Door.....	29
True Divided Lites (TDL) Options – 1- $\frac{3}{4}$ " Door	31
True Divided Lites (TDL) Options – 2- $\frac{1}{4}$ " door	33
Exterior Applied Moulding Options – 1- $\frac{3}{4}$ " Door.....	35
Exterior Applied Moulding Options – 2- $\frac{1}{4}$ " Door.....	36

PRODUCT ACCESSORIES

Sill Options – Oak Adjustable	37
Sill Options – ADA	38
Sill Options – Hydrosill™	39
Accessories	40

Unit Features

Maximum Sizes:

Pre-hung doors:

- Maximum: 42" wide × 96" high

Slab Doors:

- Maximum: 42" wide × 96" high

Sidelites:

- Maximum: 36" wide × 96" high

Transoms:

- Maximum: 96" wide × 48" high

Overall Entry System:

Factory assembled maximum: 93" wide × 96" high
 System layouts: See Entry Systems page for available configurations.

Available Frame Types:

Single rabbet:

- Minimum: 4-⁹/₁₆"
- Maximum: 9"

Frame Mulling Options:

Prep for field mull

Factory mull

Spread mull:

- Minimum: 1"
- Maximum: 6"

Reinforced mull:

- Minimum: 1" LVL,
- Max: 2" LVL

Sill Options:

Available as continuous up to 120"

Available with sill horns:

Depth:

- Minimum: 1-¹/₁₆"
- Maximum: 3-⁷/₁₆"

Length

- Minimum: 1"
- Maximum: 6"

Oak Adjustable

Hydrosill™

- Sill horns not available for Hydrosill.

ADA Sill

Sidelite Options:

500+ Door styles can be configured as sidelites

- Available in-sash or direct set

Transom Options:

Transom Options Choose from 23 Glass or Panel Transom Options Available In-Sash or Direct Set

Note: All Transoms ship separately for field mulling.

Material:

Resilient engineered wood
 Solid Accoya® frames

Sticking Profiles

Styles (see pages 22-23)

- OG – Roman Ogee
- SS – Square Stick
- QB – Quarter Bead
- QR – Quarter Round
- CB – Cove and Bead
- BV – Bevel
- OS – One Step
- LP – Low Profile Bolection Moulding
- CV – Cove Moulding
- BBM – Big Bolection Moulding
- BM – Bolection Moulding

Custom profiles available upon request

Panel Profiles:

Styles (see pages 24-25)

- A – Raised
- B – Scoop
- C – Flat
- D – Double Hip
- E – Senior Raised
- F – Senior Bevel

Custom profiles with size limitations — contact your Sales Rep for more information

Glass Types

Standard insulated glass:

- LoE 272 w/Argon (default)
- LoE 366
- LoE 340 (ELR)
- LoE 180
- White lami
- Clear Lami
- Satin Etched
- Low Iron
- Frosted
- English Reeded
- Glue Chip
- Rain
- Obscure
- Aqualite
- Seedy Wash
- Bevel

Simulated Divided Lite (SDL) Options

Available in ⁵/₈", ⁷/₈", and 1-¹/₈" wide bars

- OG – Roman Ogee
- SS – Square Stick
- QB – Quarter Bead
- QR – Quarter Round
- CB – Cove and Bead
- BV – Bevel
- OS – One Step

Unit Features

True Divided Lite (TDL) Options

Only offered in 1-5/8" wide bars

- OG – Roman Ogee
- SS – Square Stick
- QB – Quarter Bead
- QR – Quarter Round
- CB – Cove and Bead
- BV – Bevel
- OS – One Step

Factory Finishing

Paint-grade: High-quality exterior-grade primer standard.

Hardware

Handle sets not provided

- Ability to machine for any cylindrical or mortise handle set

GU Secury Automatic Multipoint available upon request

GU Secury Rhino Multipoint lock available upon request

Note: multipoint locks are highly recommended on pair units and doors over 8' tall.

Hinges

4" x 4" ball bearing, square corner TruStile branded architectural hinges standard

Colors:

- US19 Flat Black
- US3 Bright Brass
- US4 Satin Brass
- US5 Antique Brass
- US10A Antique Bronze
- US10B Oil-Rubbed Bronze
- US14 Polished Nickel
- US15 Satin Nickel
- US15A Antique Nickel
- US26 Polished Chrome
- US26D Satin Chrome

Emtek and Baldwin hinges available upon request

Casing options

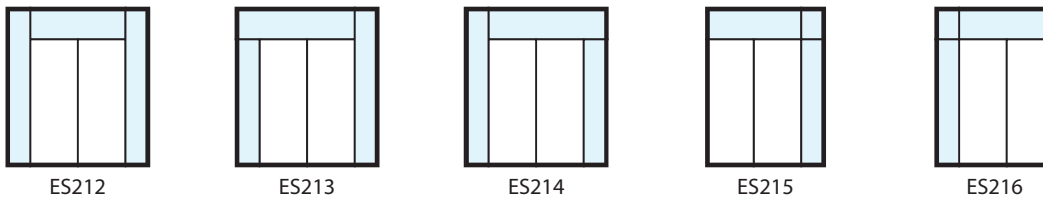
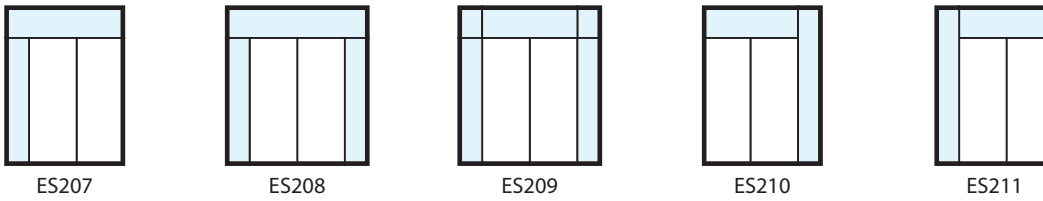
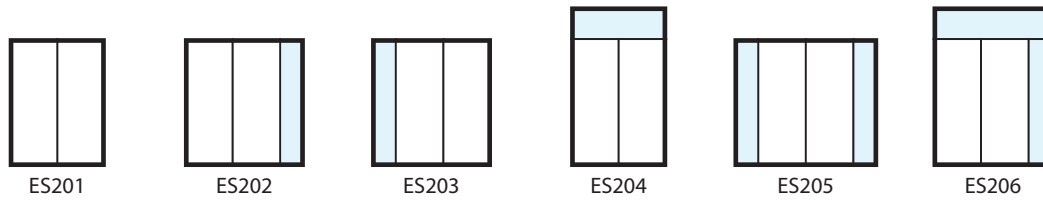
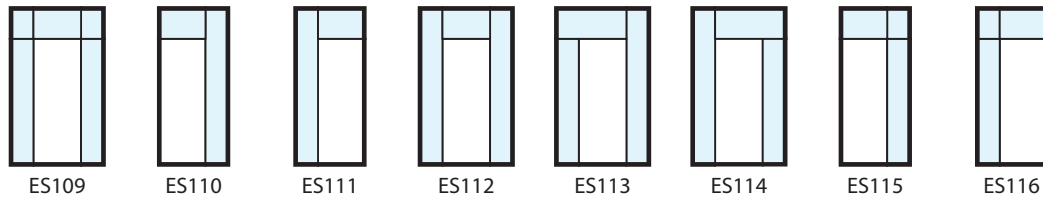
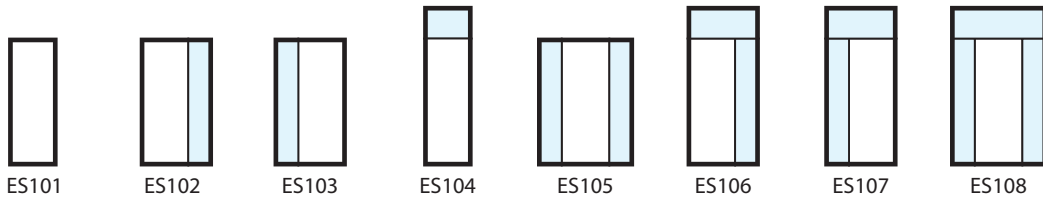
WM180 – Brick Mould:

1-1/4" thick x 2" wide

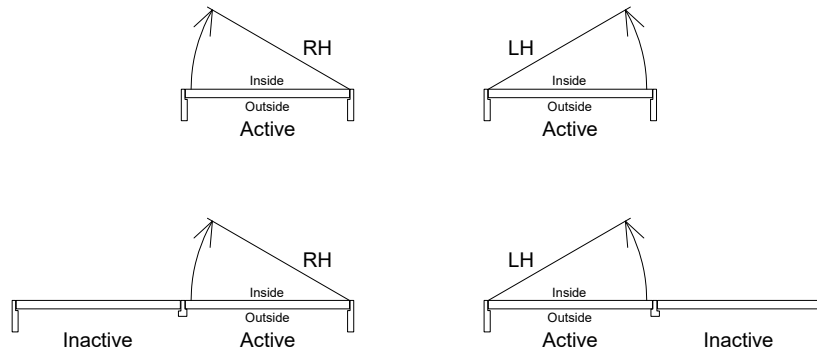
Configurable S4S:

Available in all species in both 3/4" and 1" thicknesses

Entry System Codes – Square-Top



Handing Configurations



Minimum and Maximum Guidelines

1 3/4" Slab - Rectangle

Minimum and Maximum Slab Sizes								
Configuration	Minimum				Maximum			
	Width		Height		Width		Height	
	in	mm	in	mm	in	mm	in	mm
Unit Type								
1 3/4 Door	20	(508)	48	(1219)	36	(914)	96	(2438)
2 1/4 Door	20	(508)	48	(1219)	42	(1067)	96	(2438)
Pre-Hung Door	20	(508)	48	(1219)	42	(1067)	96	(2438)
Transom	20	(508)	10	(254)	96	(2438)	48	(1219)
Sidelite	10	(254)	48	(1219)	48	(1219)	120	(3048)
Sidelite Transom	10	(254)	10	(254)	48	(1219)	48	(1219)
Direct Set Sidelite	10	(102)	48	(1219)	36	(914)	120	(3048)
Direct Set Transom	20	(508)	10	(254)	96	(2438)	48	(1219)
Direct Set Sidelite Transom	10	(102)	48	(1219)	48	(1219)	120	(3048)

*minimum width reflects unequal panel sizes with 18.000" operator panel width

*maximum width for the stationary panel of 124.010" for an 82.000" frame height

Measurement Conversions

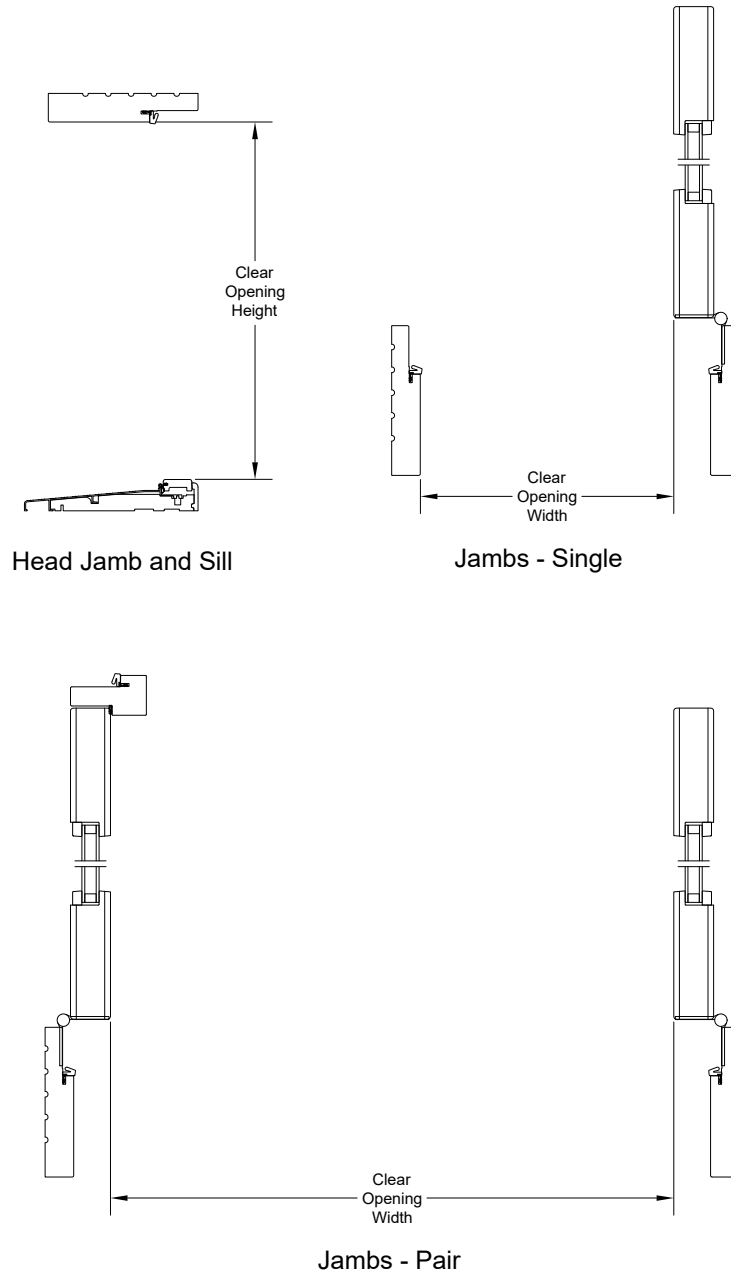
Configuration	Unit Measurements		Width	
	From	To	in	mm
All	Rough Opening			
	Frame OM	Rough Opening	+ 1	(25)
	Masonry Opening	Rough Opening	+ 1/2	(13)

	Unit Measurements		Width	
	From	To	in	mm
Single	Slab			
	Panel Opening 2.25	Net Clear Opening	-3 33/64	(89)
	Panel Opening 1.75	Net Clear Opening	-3 1/64	(77)

	Unit Measurements		Width	
	From	To	in	mm
Pair	Slab			
	Panel Opening 2.25	Net Clear Opening	-5 5/64	(129)
	Panel Opening 1.75	Net Clear Opening	-4 37/64	(116)

Unit Measurements		Height	
From	To	in	mm
Rough Opening			
Frame OM	Rough Opening	+ 1/2	(13)
Masonry Opening	Rough Opening	+ 1/4	(06)
Net Clear Opening			
Frame OM Oak Adjustable	NCO	-2 5/8	(67)
Frame OM Wood	NCO	-2 5/8	(67)
Frame OM Hydrosill	NCO	-2 7/8	(73)
Frame OM ADA	NCO	-1 3/4	(44)
Frame OM Interlock	NCO	-3 11/32	(85)

Net Clear Opening



Egress Code

International Building Code - 2012, 2015, and 2018

Section 1029 in 2012 code, Section 1030 in 2015 and 2018 code -
Emergency Escape and Rescue Openings

Minimum Size: Emergency escape and rescue openings shall have a minimum net clear opening of 5.7 square feet (.53 m²).

Exception: The minimum net clear opening for grade-floor emergency escape and rescue openings shall be 5.0 square feet (0.46m²).

Minimum Dimensions: The minimum net clear opening height dimension shall be 24 inches (610). The minimum net clear opening width dimension shall be 20 inches (508). The net clear opening dimensions shall be the result of normal operation of the opening.

Maximum Height from Floor: Emergency escape and rescue openings shall have the bottom of the clear opening not greater than 44 inches (118) measured from the floor.

Operational Constraints: Emergency escape and rescue openings shall be operational from the inside of the room without the use of keys or tools. The 2018 code added the following sentence - window-opening control devices complying with ASTM F2090 shall be permitted for use on windows serving as a required emergency escape and rescue opening.

Code restrictions may vary depending on your local building code.

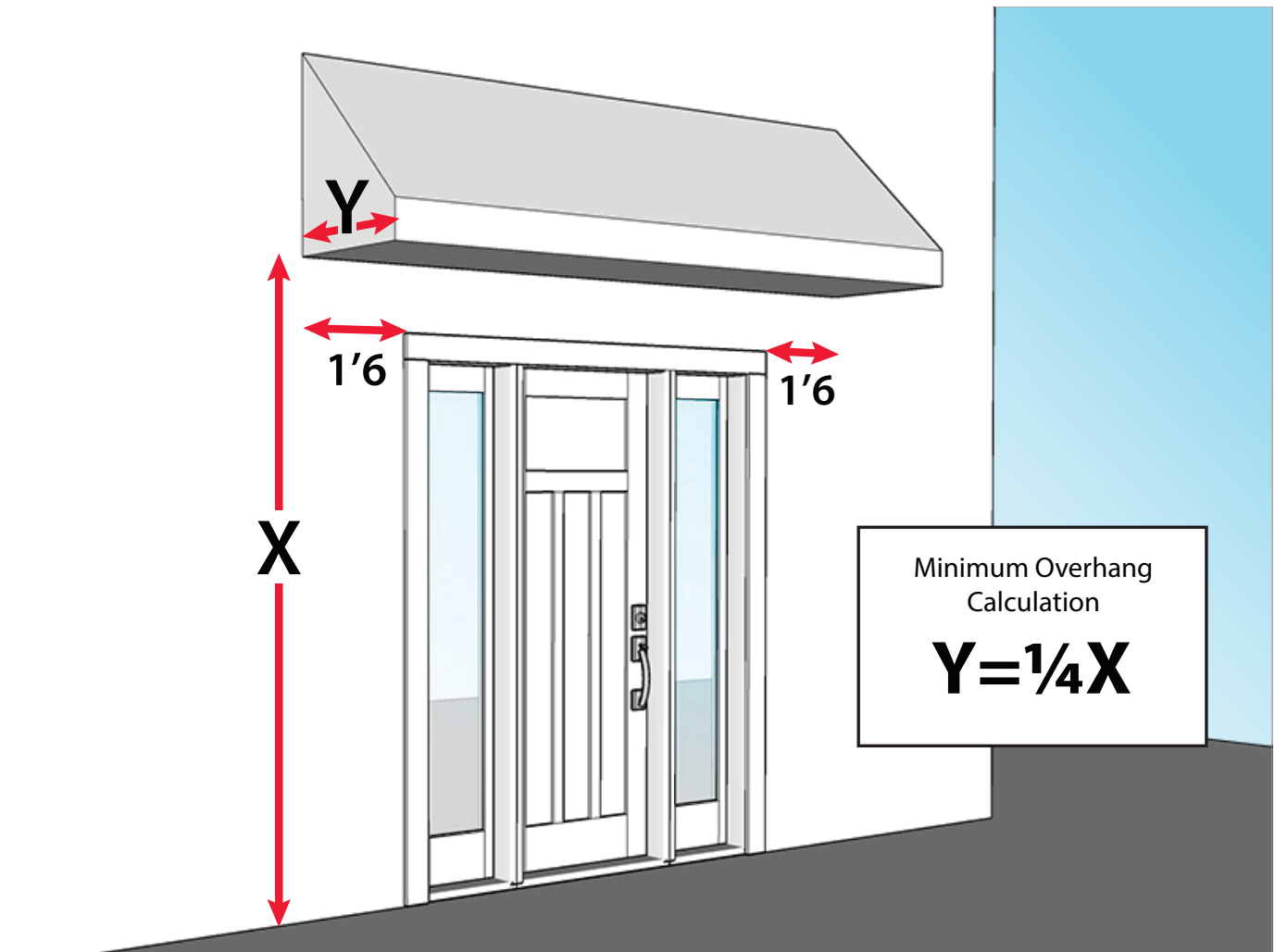
Overhang Requirement for Warranty Coverage

No overhang is required for:

Single doors without sidelites or transoms (E5101 configuration) up to 3'6" × 8'0" door leaf size with factory-installed Hydrosill™; or

Double doors without sidelites or transoms (E5201 configuration) up to 3'0" × 8'0" door leaf size with factory-installed Hydrosill and multipoint lock.

For all other configurations, an overhang projecting out at least ¼ the distance from the foot of the door to the base of the overhang and projecting sideways at least 1 foot, 6 inches (1'6") beyond each side of the entry door system is required.



Section Details - Frame options

Frame



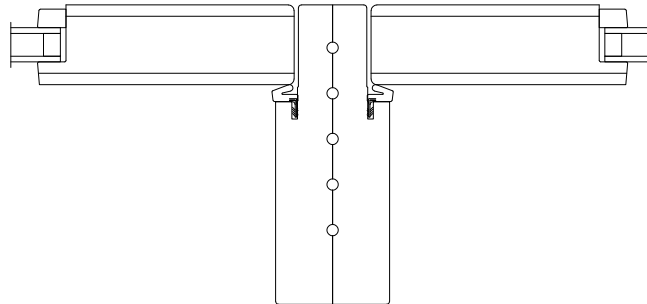
Square Edge Frame - Single Rabbeted



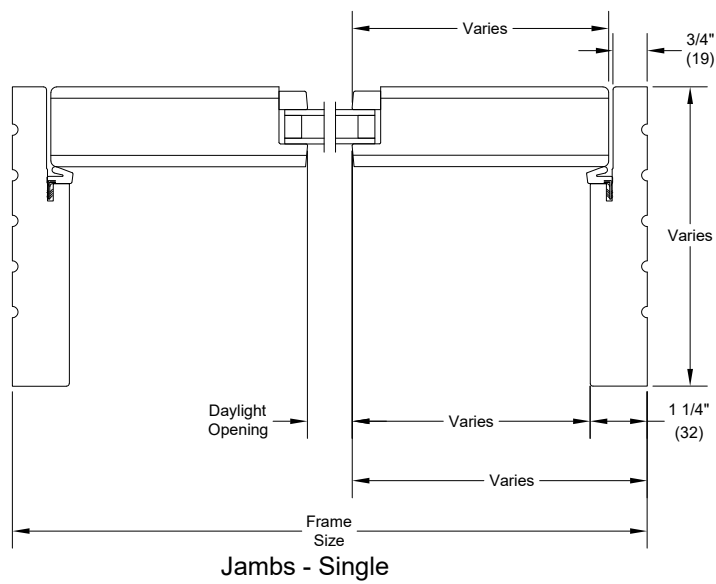
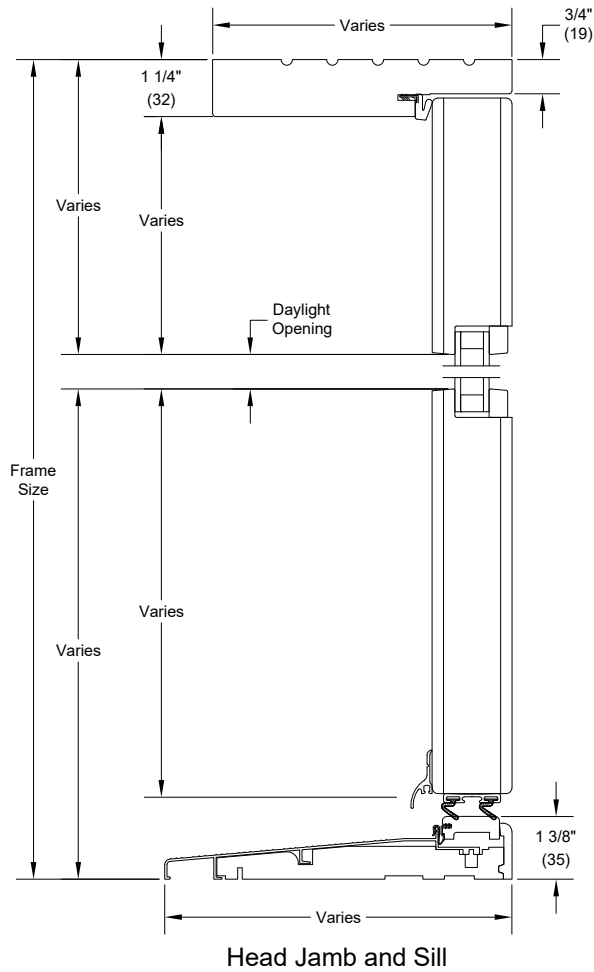
Radius Edge Frame - Single Rabbeted

Back to Back Mull Post

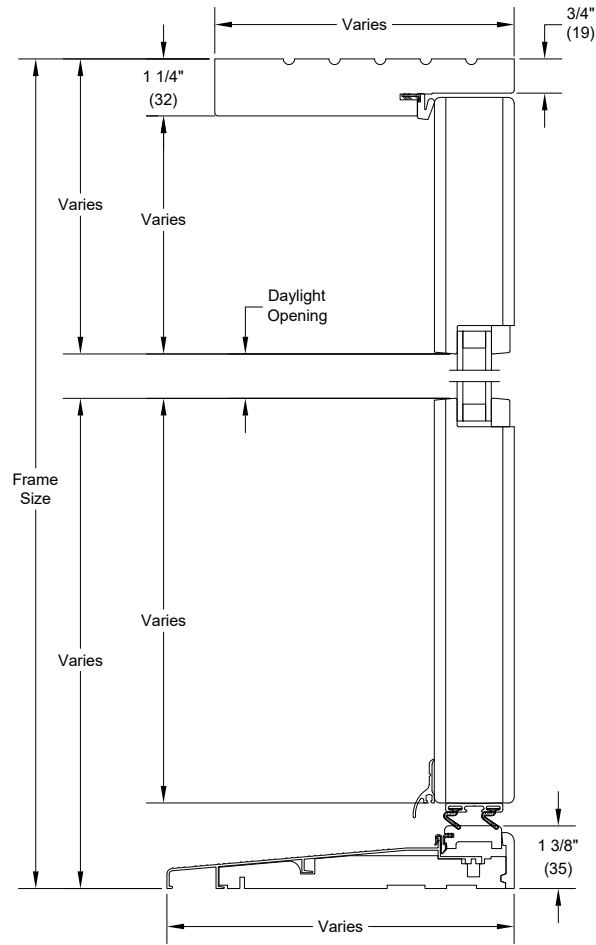
Single Rabbet



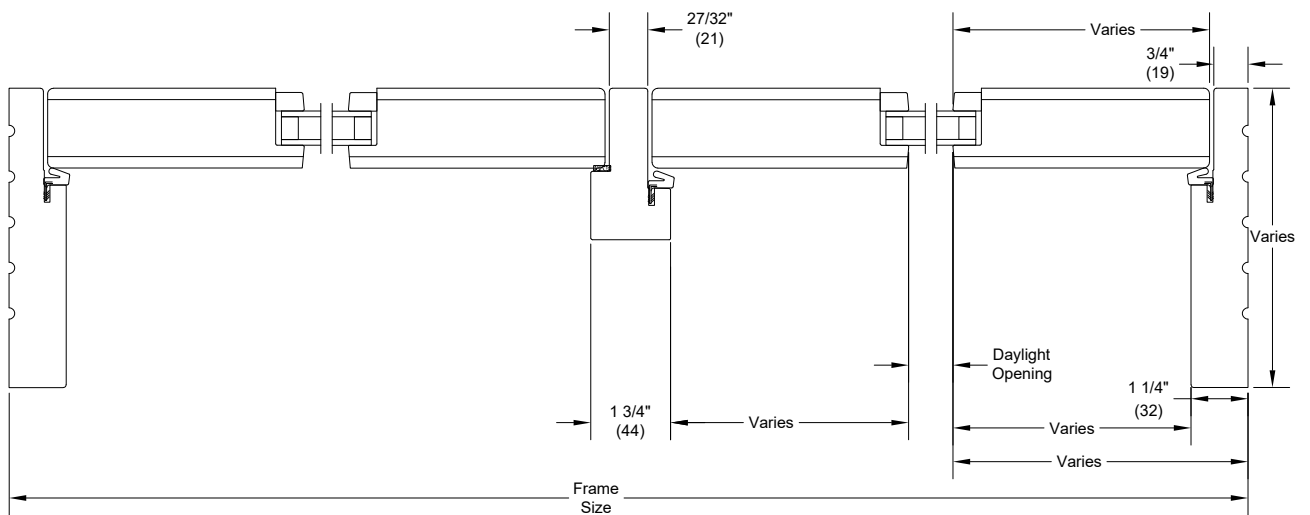
Section Details – Operating – Single – 1-3/4" Door



Section Details – Operating – Pair – 1-3/4" Door

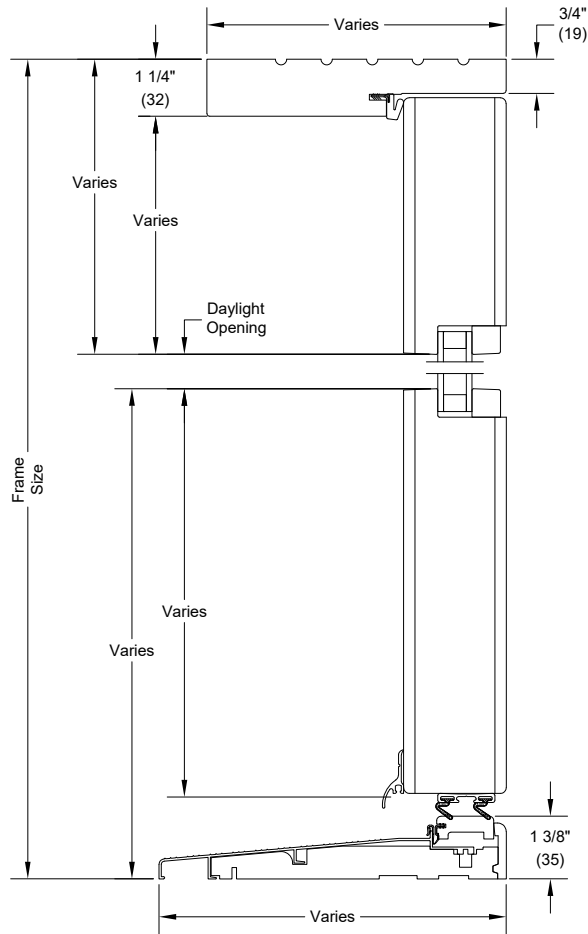


Head Jamb and Sill

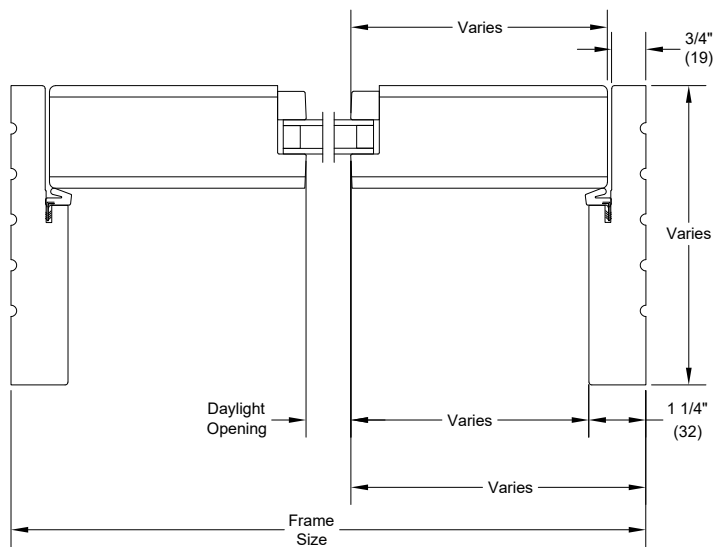


Jamb - Pair

Section Details – Operating – Single – 2-1/4" Door

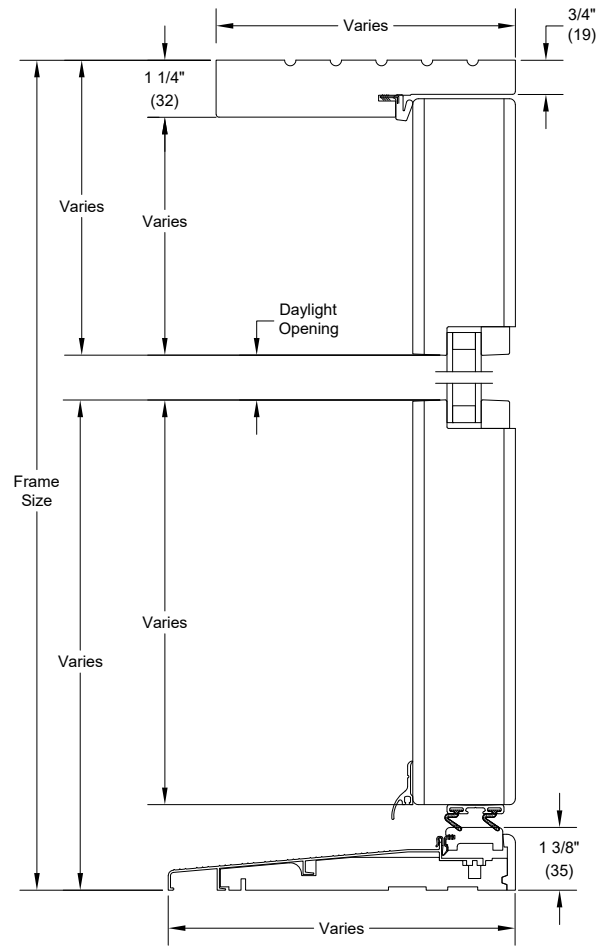


Head Jamb and Sill

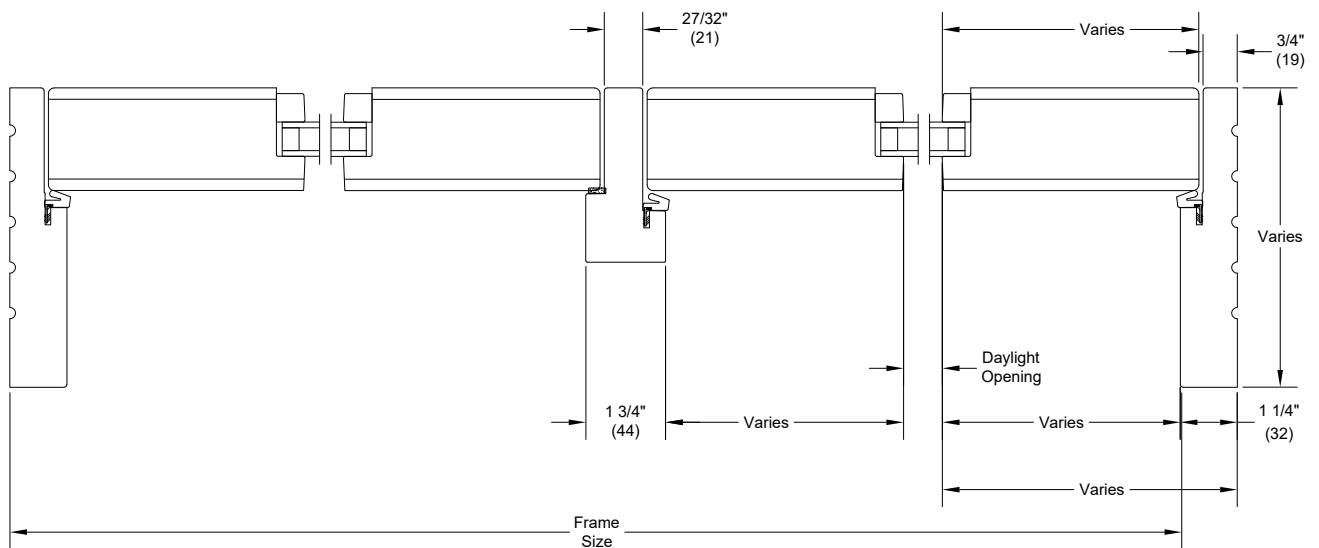


Jamb - Single

Section Details – Operating – Pair – 2-1/4" Door

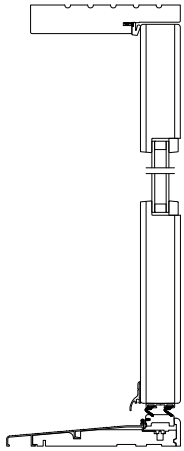


Head Jamb and Sill

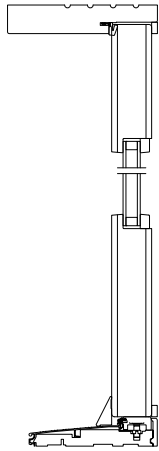


Jamb - Pair

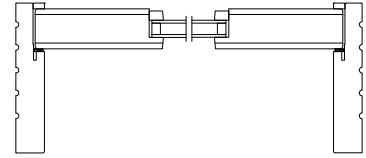
Section Details – Single, Pair, Sidelite – 1-3/4" Door



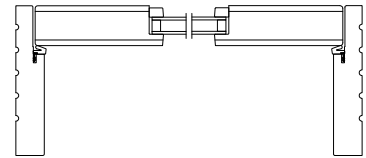
Head Jamb and Sill
Door



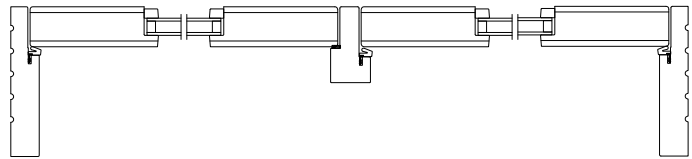
Head Jamb and Sill
Sidelite



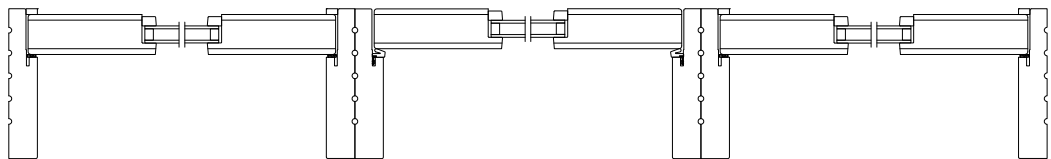
Jambs - Sidelite



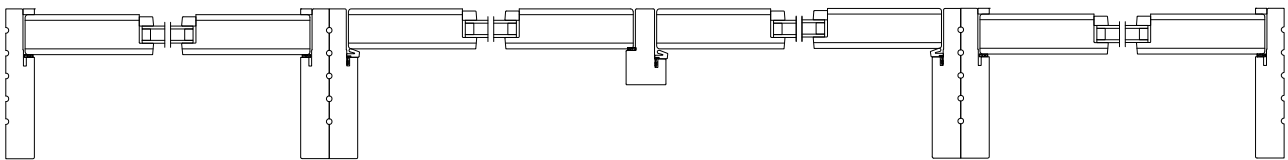
Jambs - Single



Jambs - Pair

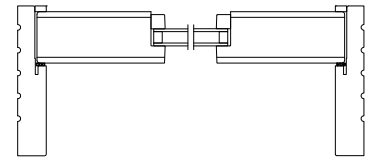
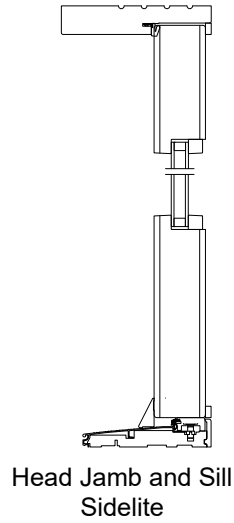
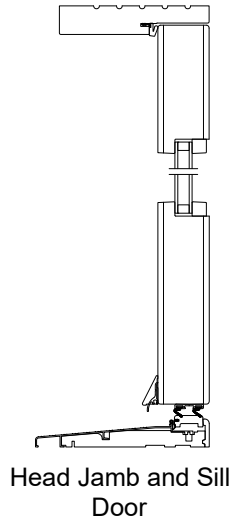


Jambs - Sidelite, Single, Sidelite - Back to Back

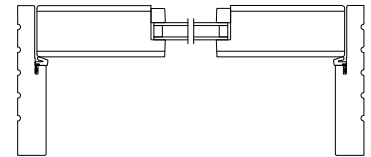


Jambs - Sidelite, Pair, Sidelite - Back to Back

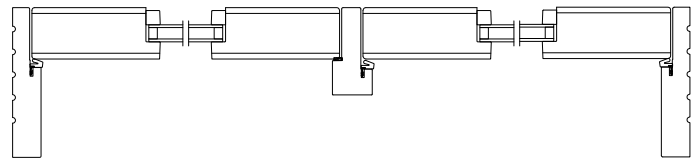
Section Details – Single, Pair, Sidelite – 2-1/4" Door



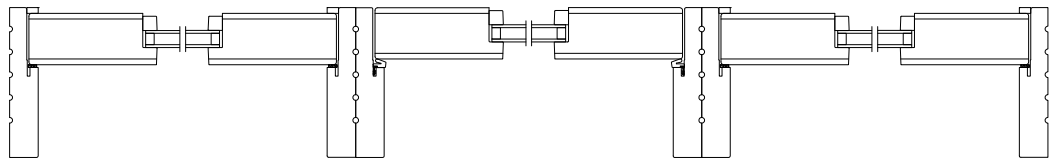
Jambs - Sidelite



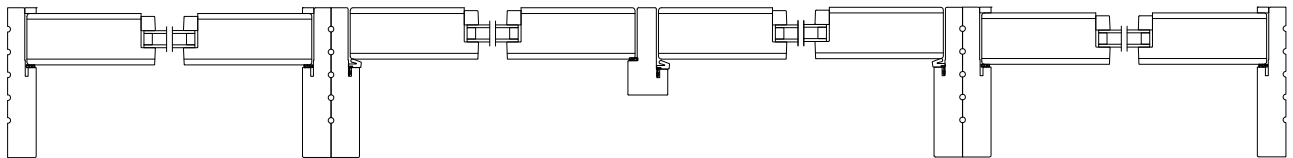
Jambs - Single



Jambs - Pair

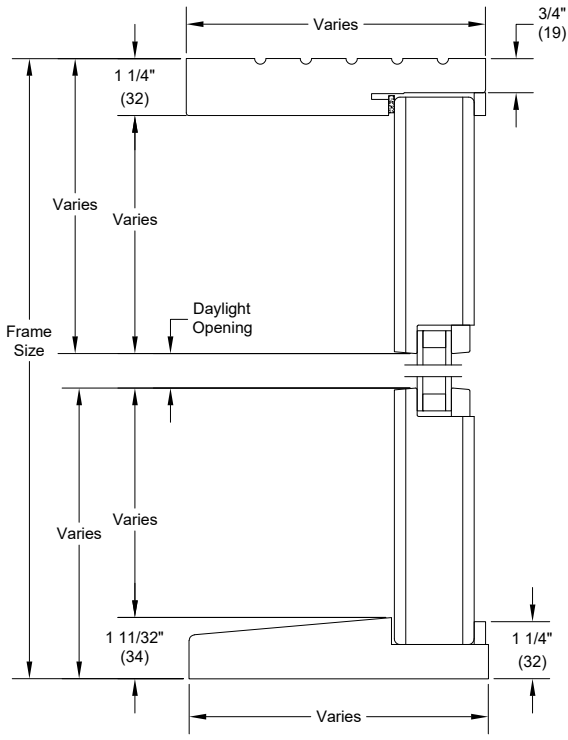


Jambs - Sidelite, Single, Sidelite - Back to Back

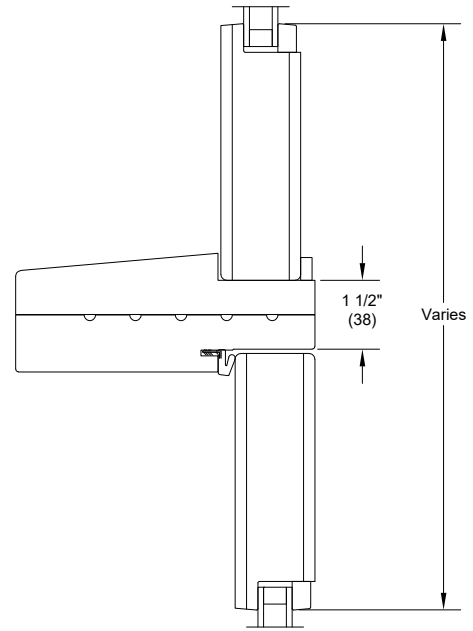


Jambs - Sidelite, Pair, Sidelite - Back to Back

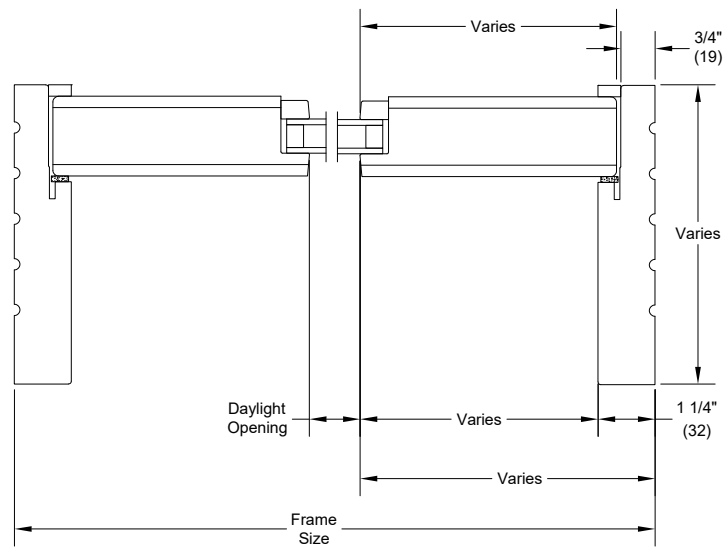
Section Details – In-sash Transom



Head Jamb and Sill

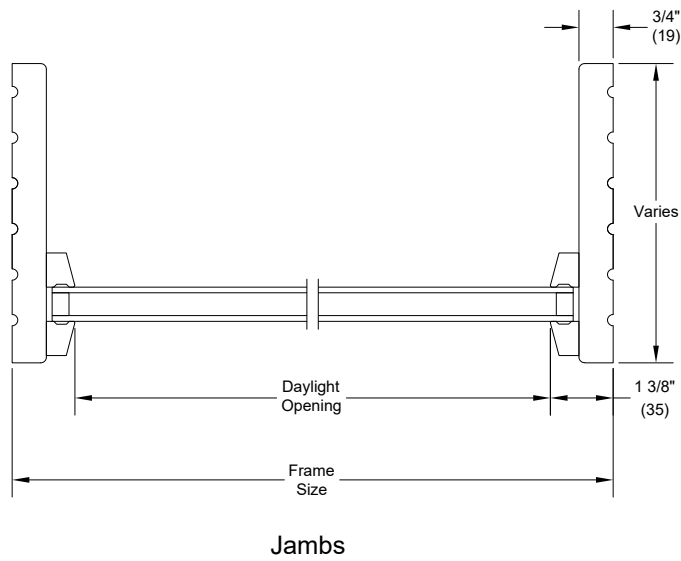
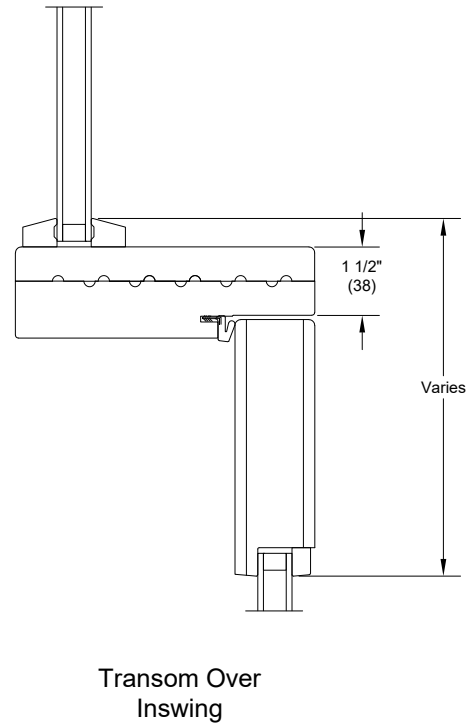
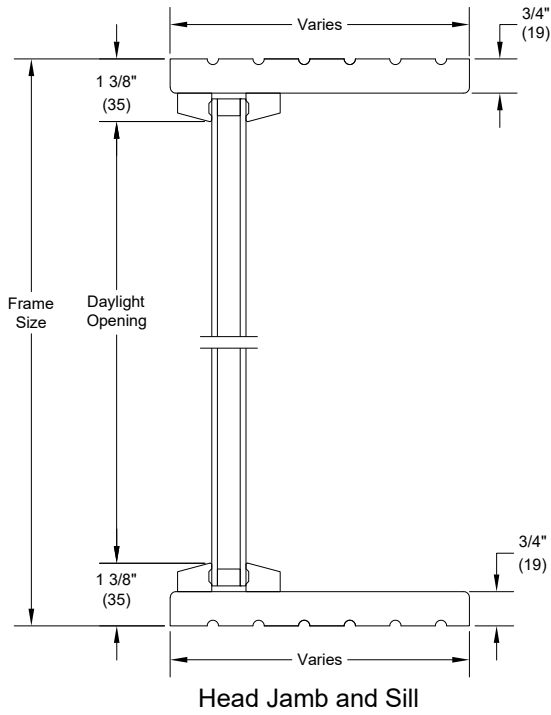


Transom Over Inswing



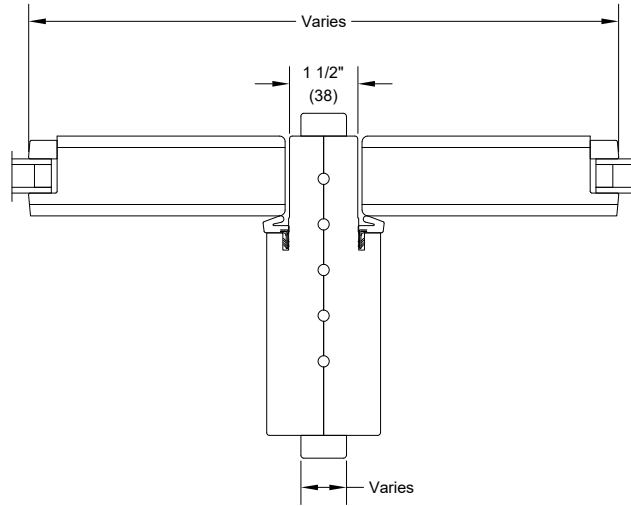
Jambs

Section Details – Direct Set Transom

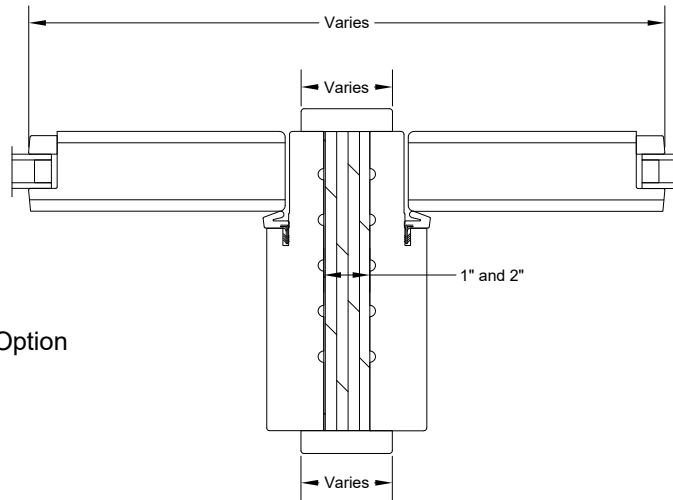


Section Details – Vertical Mulling Options

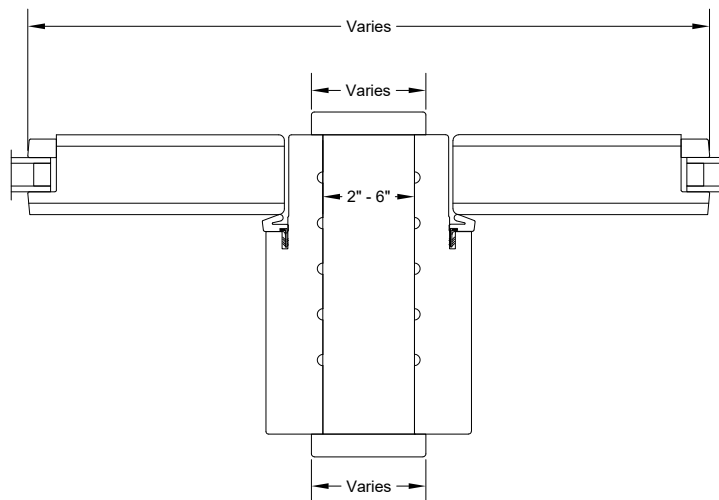
Direct Mull



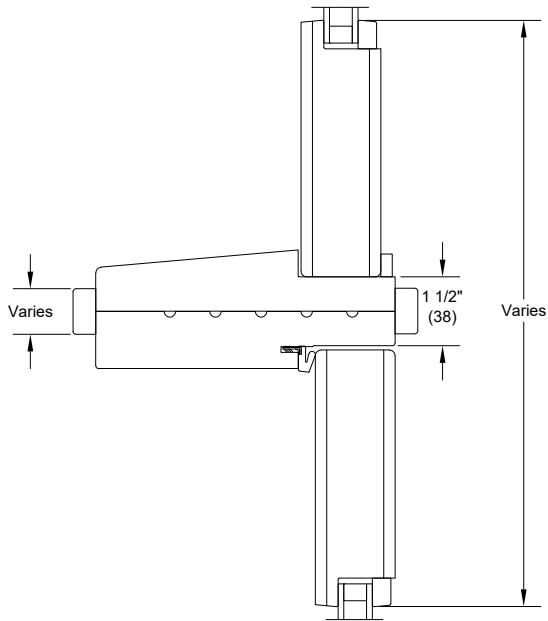
Reinforced Mull
1" LVL Option and 2" LVL Option



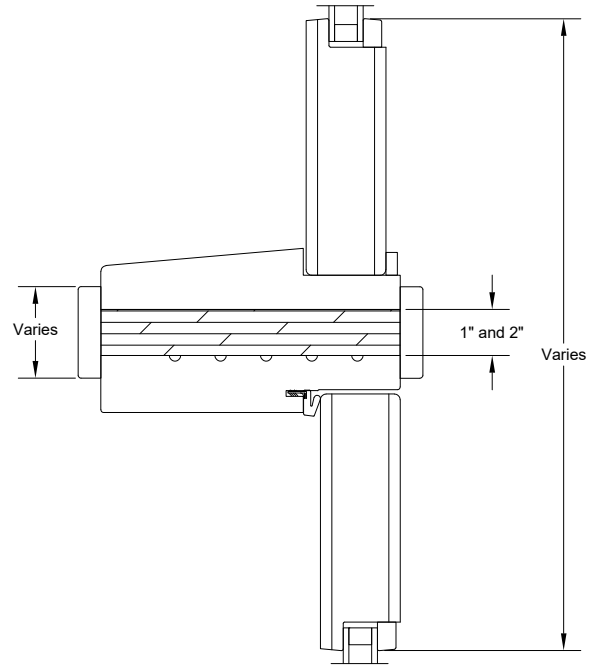
Spread Mull
2" - 6"



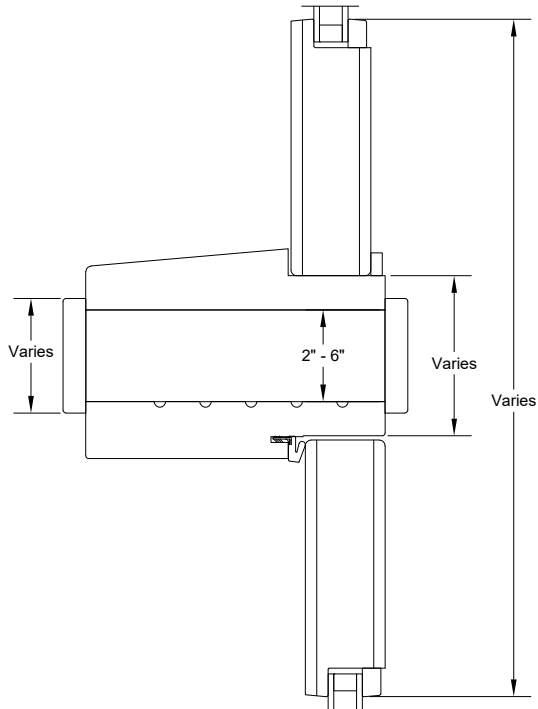
Section Details – Horizontal Mulling Options



Direct Mull

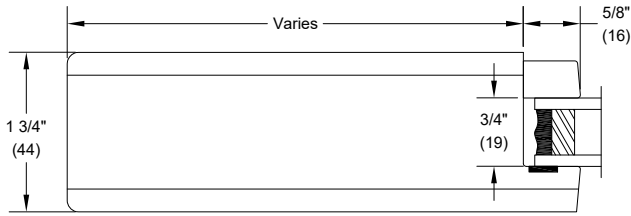


Reinforced Mull
1" LVL Option and 2" LVL Option

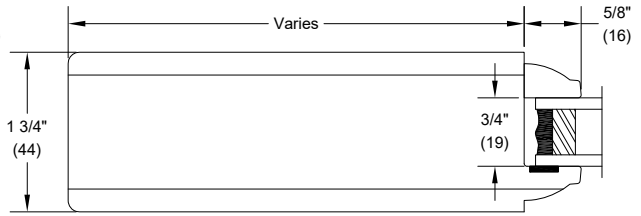


Spread Mull
2" - 6"

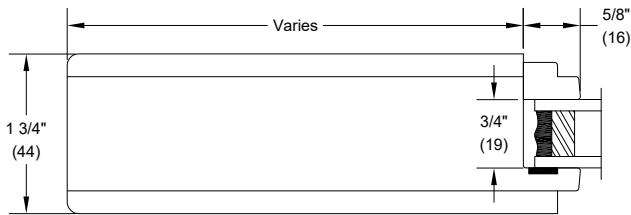
Sticking Options – 1-3/4" Door



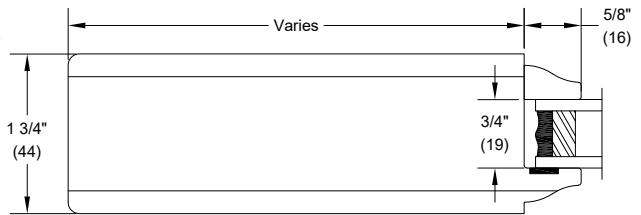
Square Stick (SS) Sticking



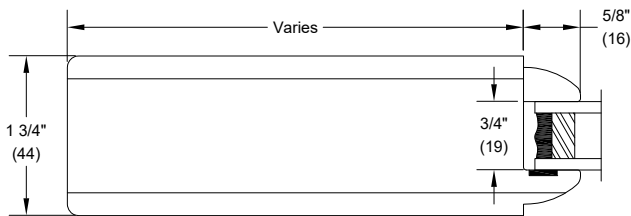
Quarter Bead (QB) Sticking



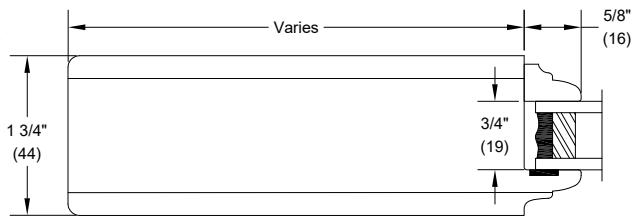
One Step (OS) Sticking



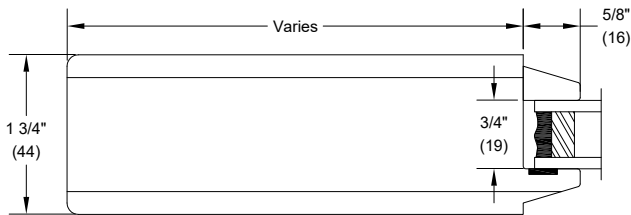
Roman Ogee (OG) Sticking



Quarter Round (QR) Sticking

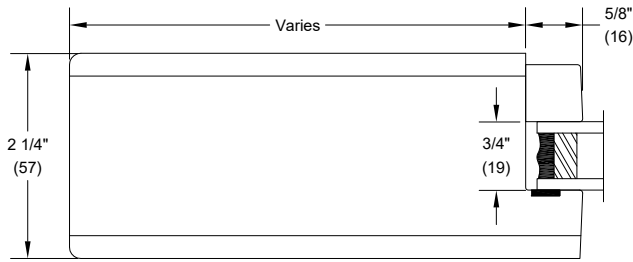


Cove and Bead (CB) Sticking

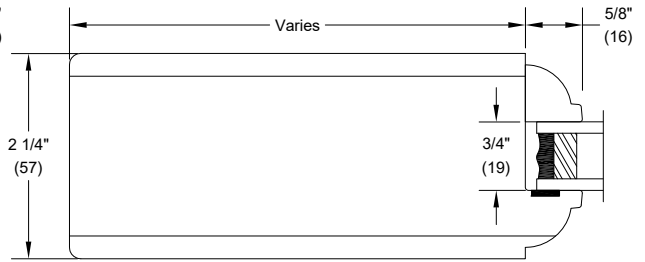


Bevel (BV) Sticking

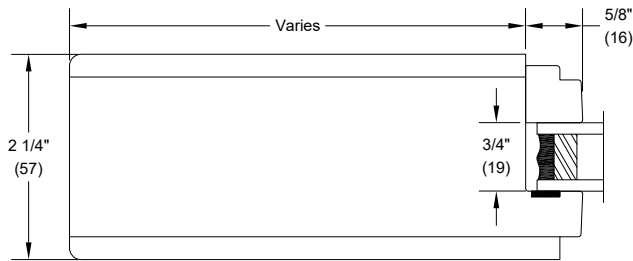
Sticking Options – 2-1/4" Door



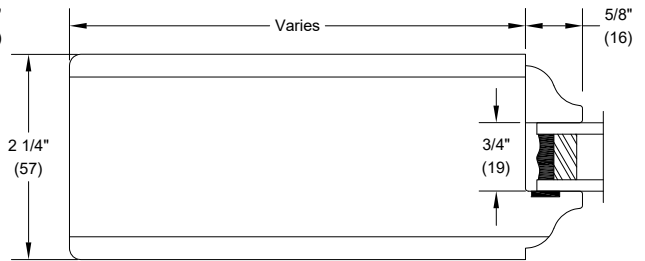
Square Stick (SS) Sticking



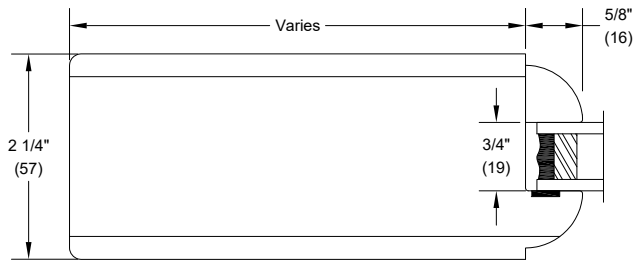
Quarter Bead (QB) Sticking



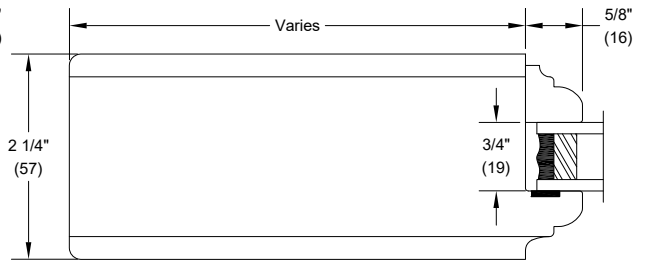
One Step (OS) Sticking



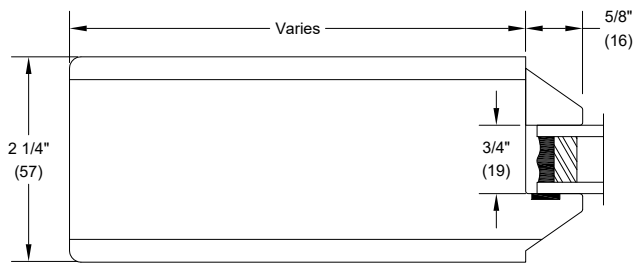
Roman Ogee (OG) Sticking



Quarter Round (QR) Sticking

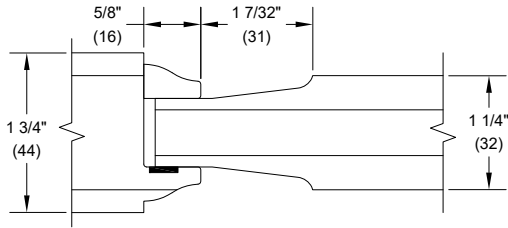


Cove and Bead (CB) Sticking

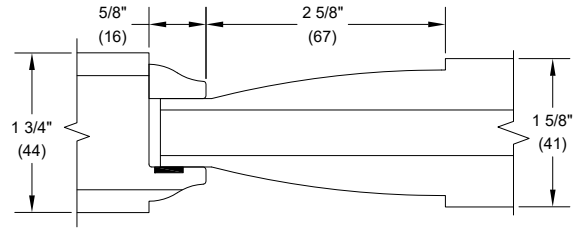


Bevel (BV) Sticking

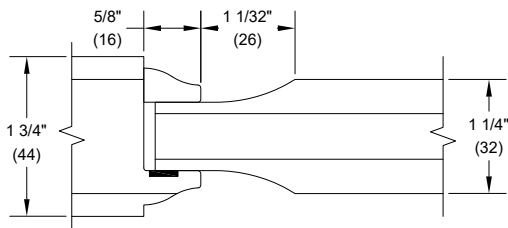
Panel Options – 1-3/4" Door



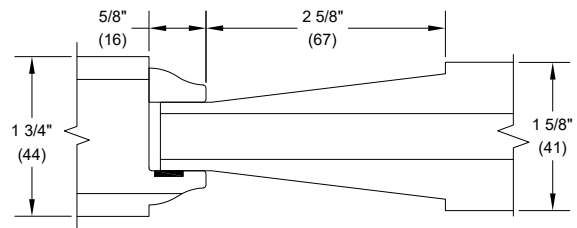
A - Raised



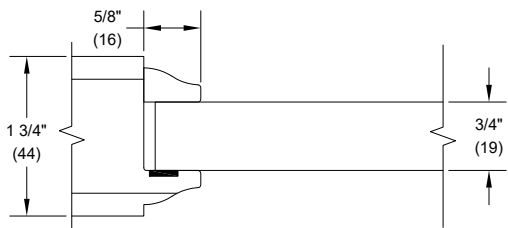
E - Senior Raised



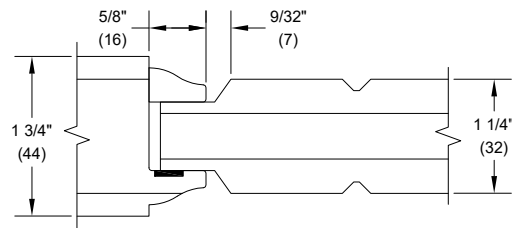
B - Scoop Rim Raised



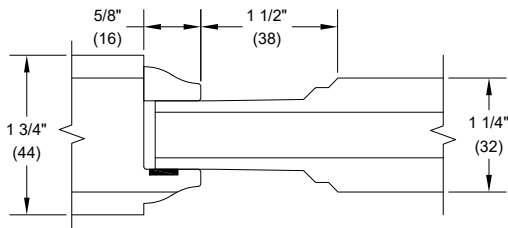
F - Senior Bevel



C - Flat



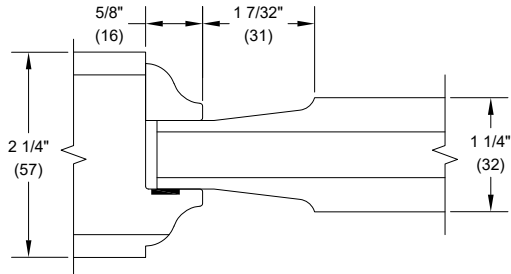
VG - V Groove



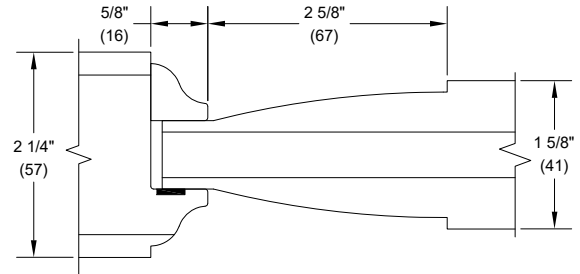
D - Double Hip

Note: All profiles shown with Roman Ogee (OG) sticking

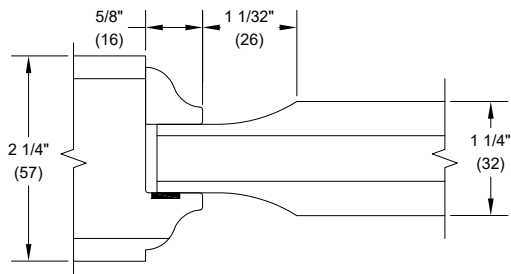
Panel Options – 2-1/4" Door



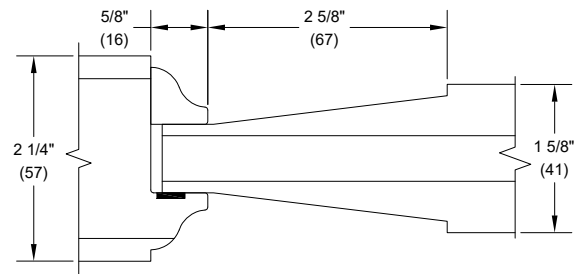
A - Raised



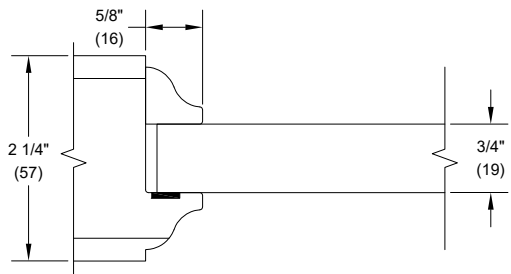
E - Senior Raised



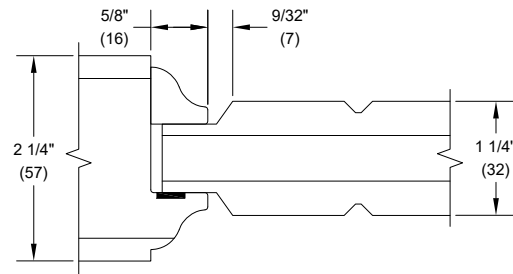
B - Scoop Rim Raised



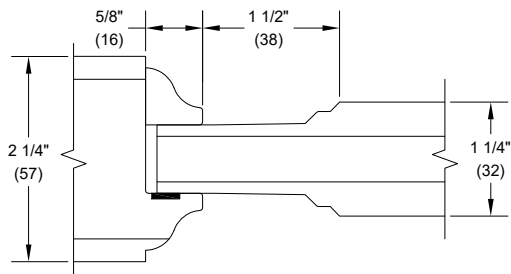
F - Senior Bevel



C - Flat



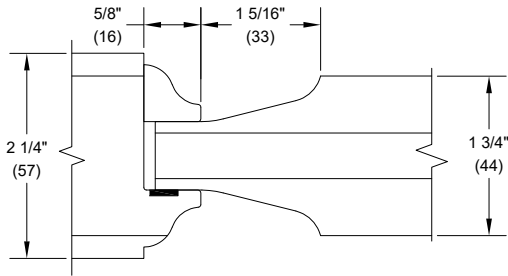
VG - V Groove



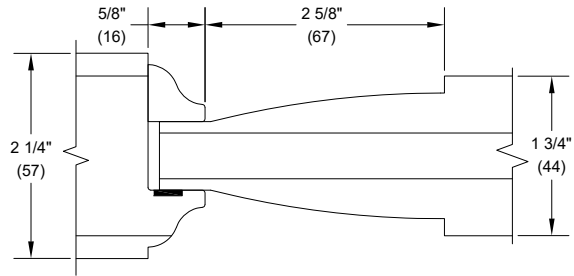
D - Double Hip

Note: All profiles shown with Roman Ogee (OG) sticking

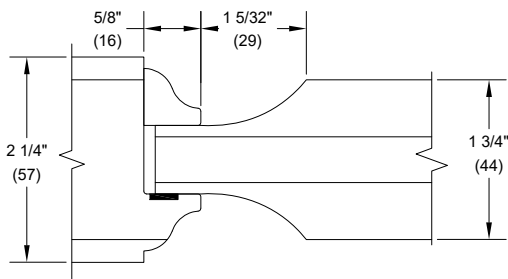
Panel Options – 2-1/4" Door



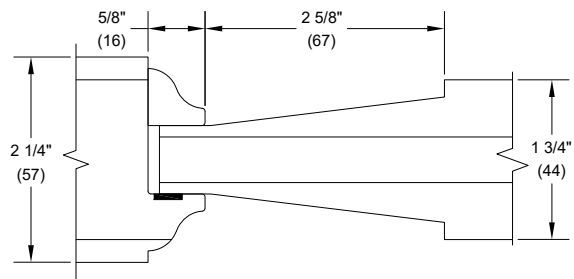
A - Raised



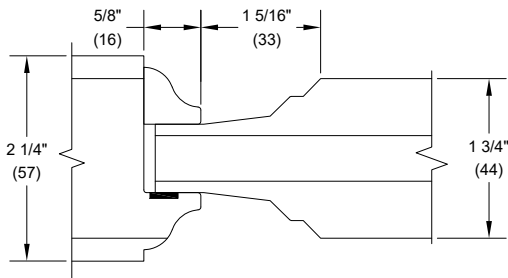
E - Senior Raised



B - Scoop Rim Raised



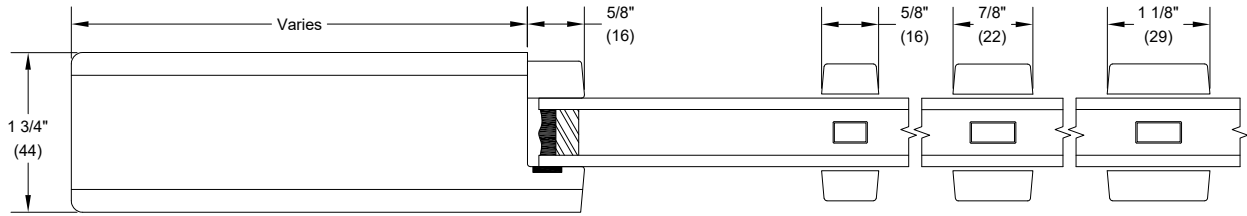
F - Senior Bevel



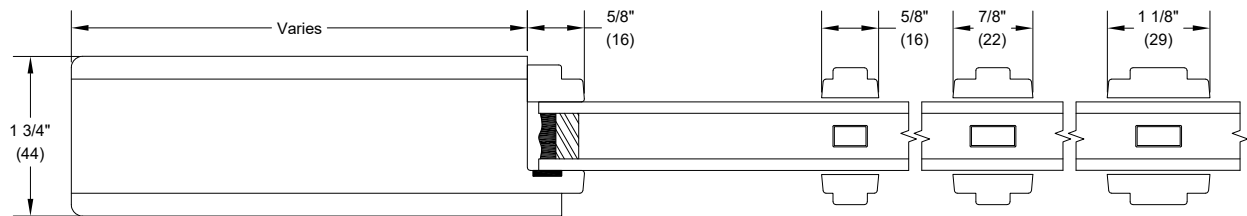
D - Double Hip

Note: All profiles shown with Roman Ogee (OG) sticking

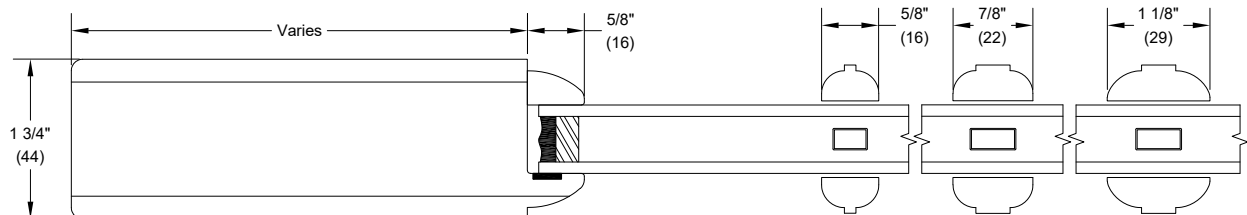
Simulated Divided Lites (SDL) Options – 1-3/4" DOOR



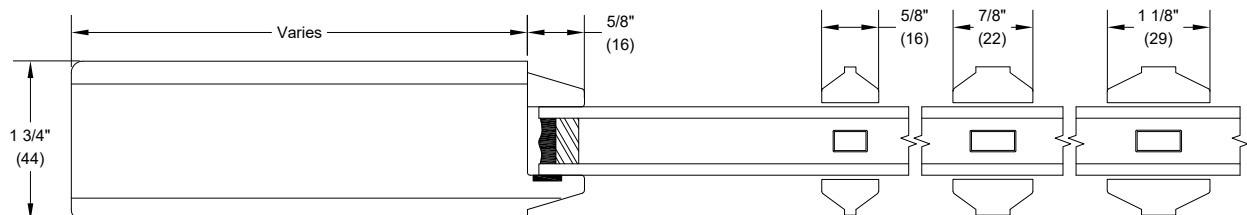
Square Stick (SS) Sticking



One Step (OS) Sticking

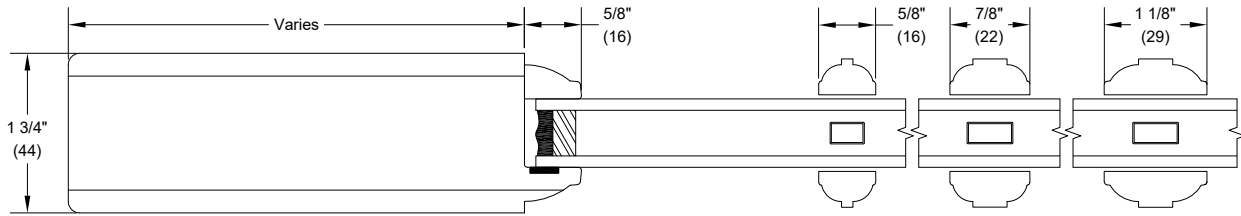


Quarter Round (QR) Sticking

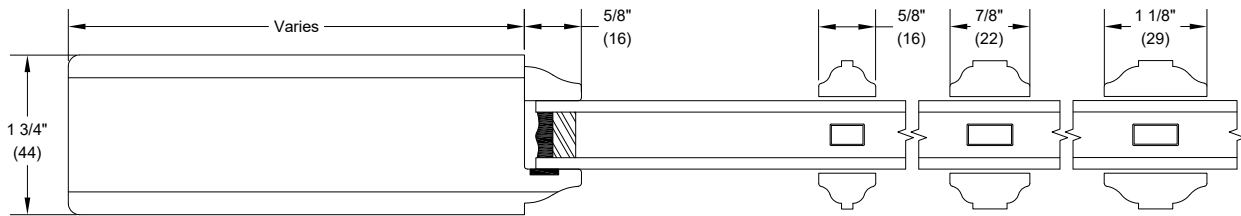


Bevel (BV) Sticking

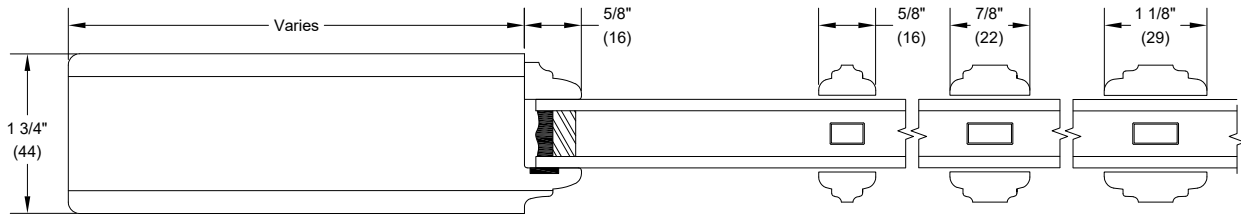
Simulated Divided Lites (SDL) Options – 1-3/4" DOOR



Quarter Bead (QB) Sticking

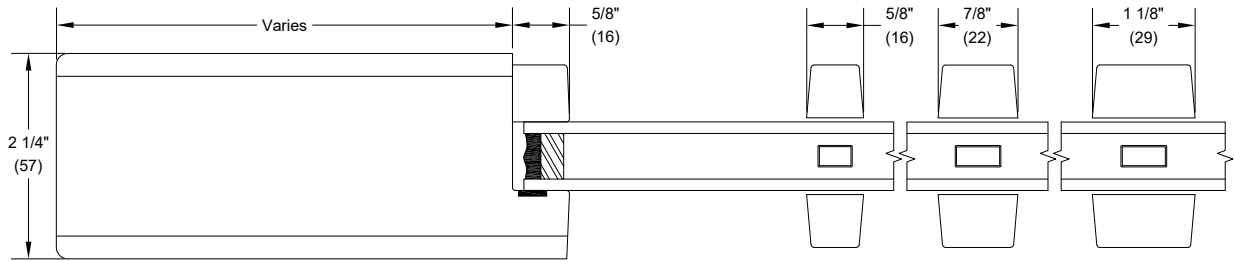


Roman Ogee (OG) Sticking

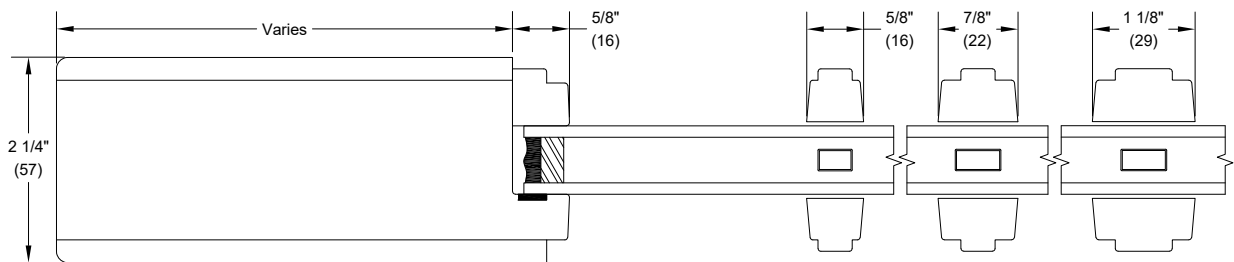


Cove and Bead (CB) Sticking

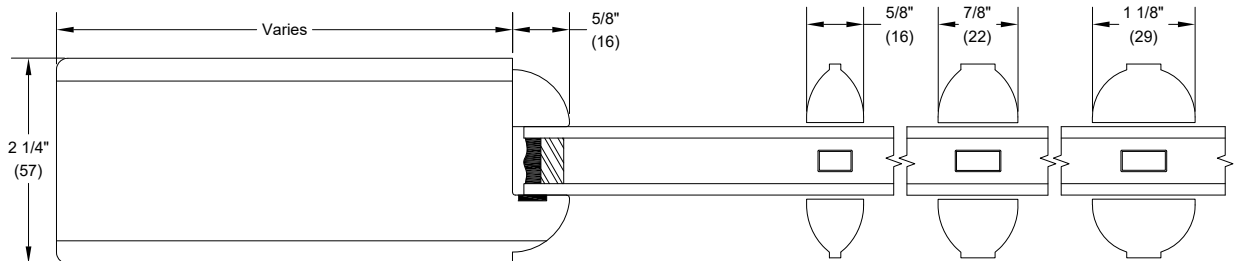
Simulated Divided Lites (SDL) Options – 2-1/4" DOOR



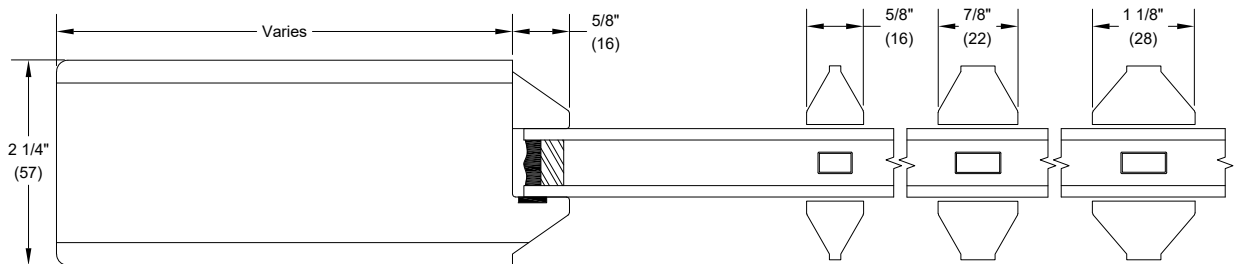
Square Stick (SS) Sticking



One Step (OS) Sticking

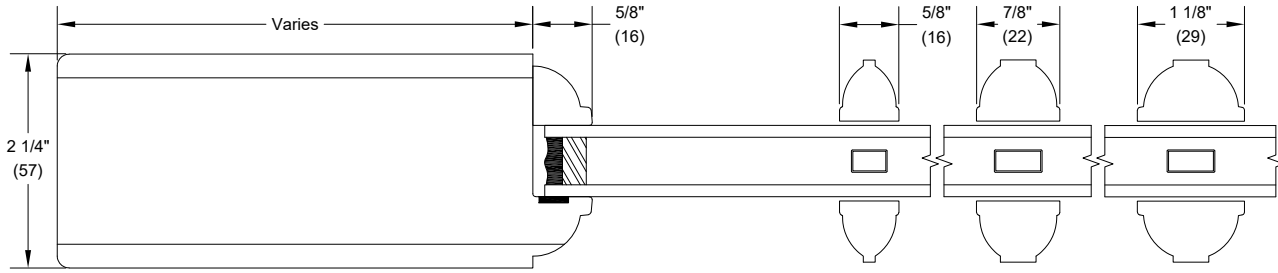


Quarter Round (QR) Sticking

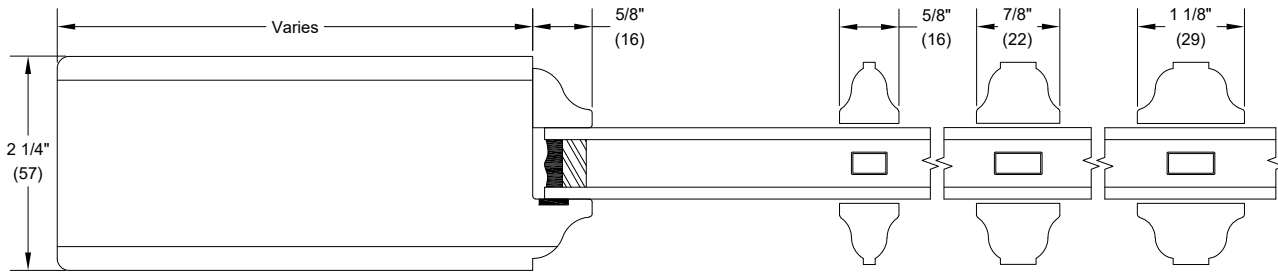


Bevel (BV) Sticking

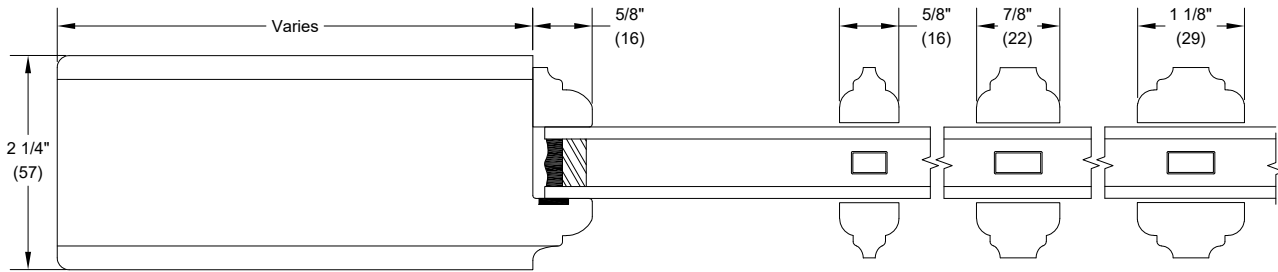
simulated divided lites (SDL) Options - 2 1/4" DOOR



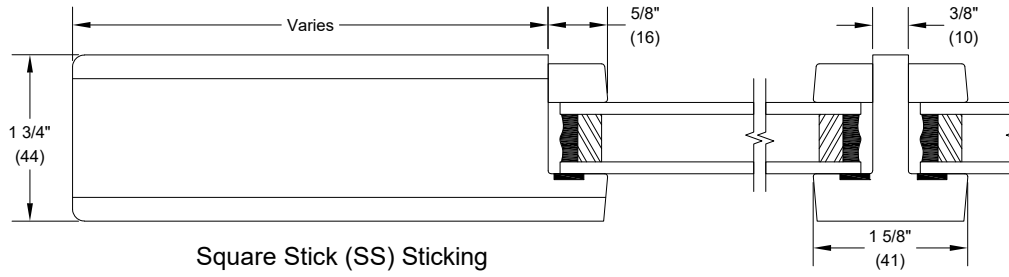
Quarter Bead (QB) Sticking



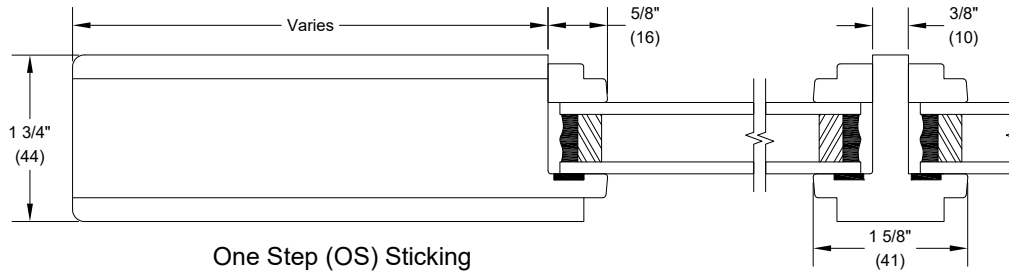
Roman Ogee (OG) Sticking



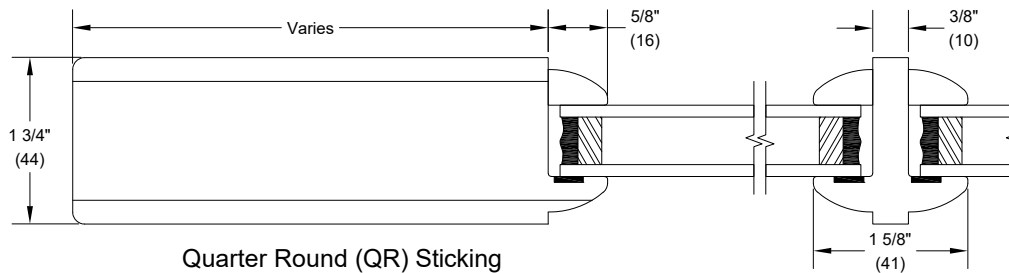
Cove and Bead (CB) Sticking



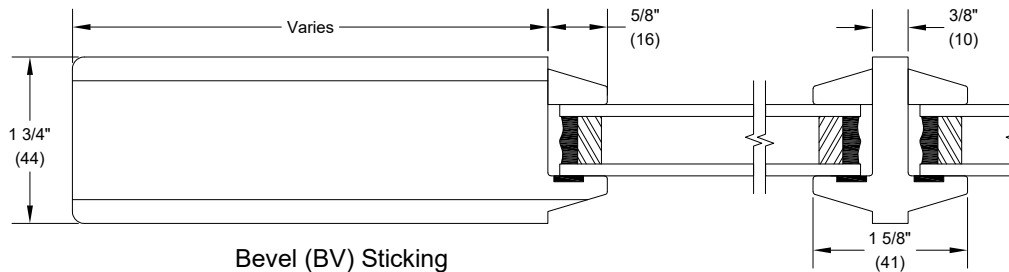
Square Stick (SS) Sticking



One Step (OS) Sticking

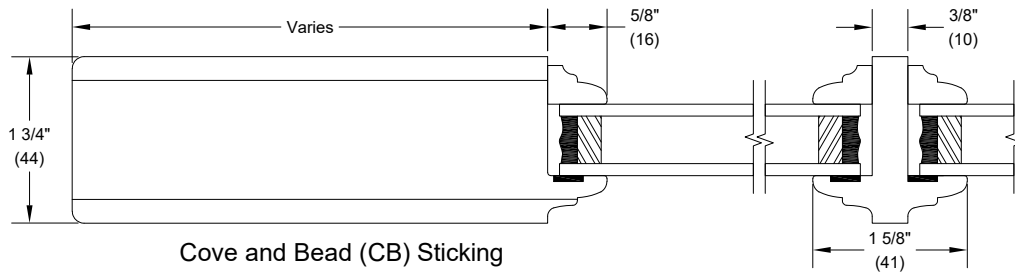
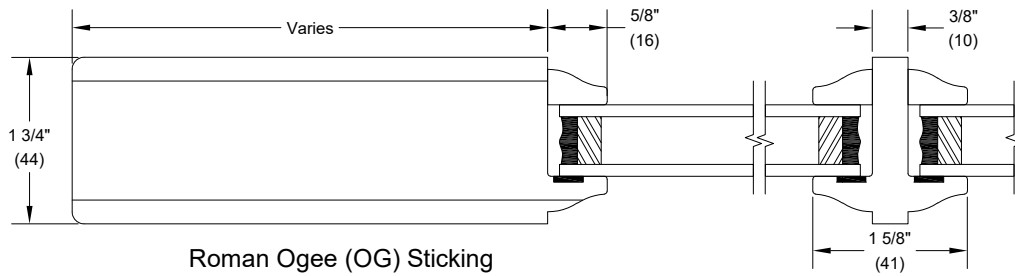
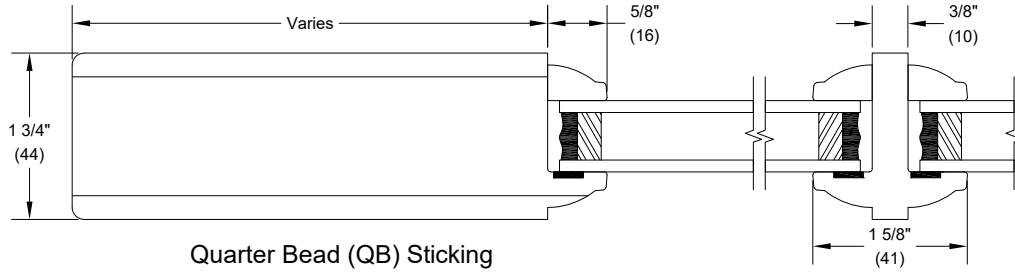


Quarter Round (QR) Sticking

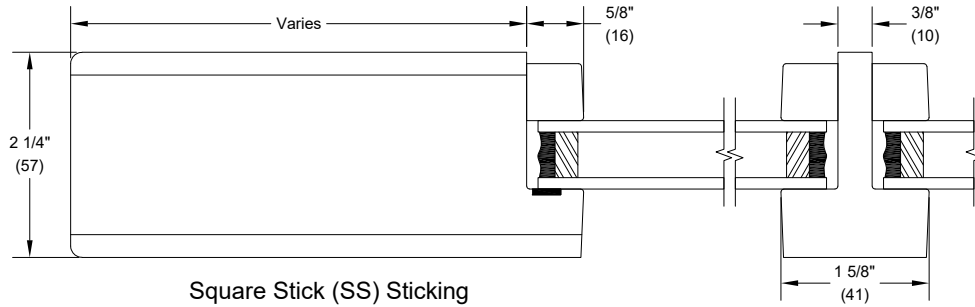


Bevel (BV) Sticking

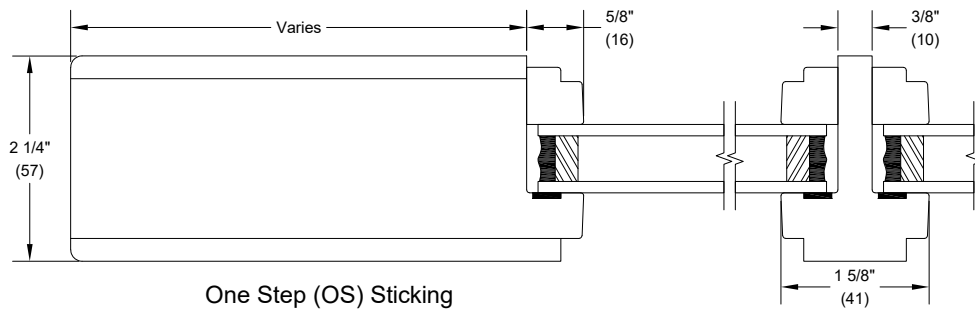
True Divided Lites (TDL) Options – 1-3/4" Door



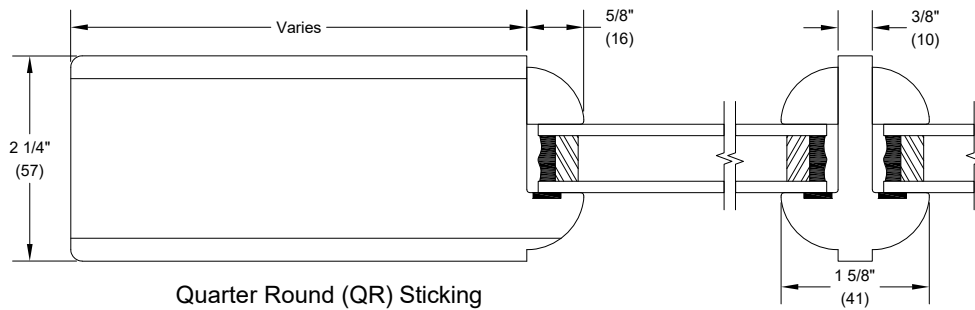
True Divided Lites (TDL) Options – 2-1/4" Door



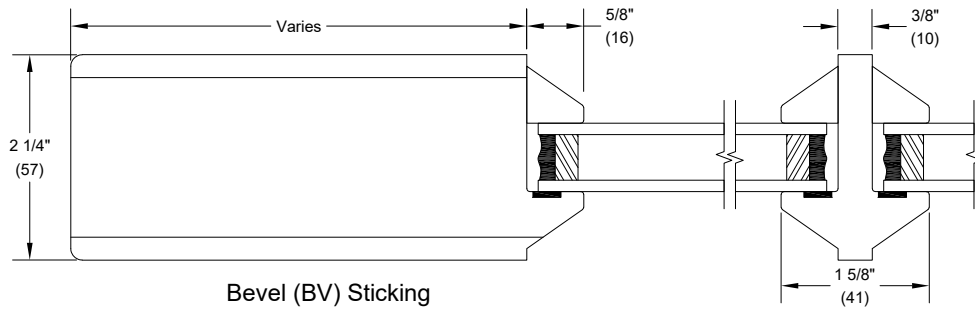
Square Stick (SS) Sticking



One Step (OS) Sticking

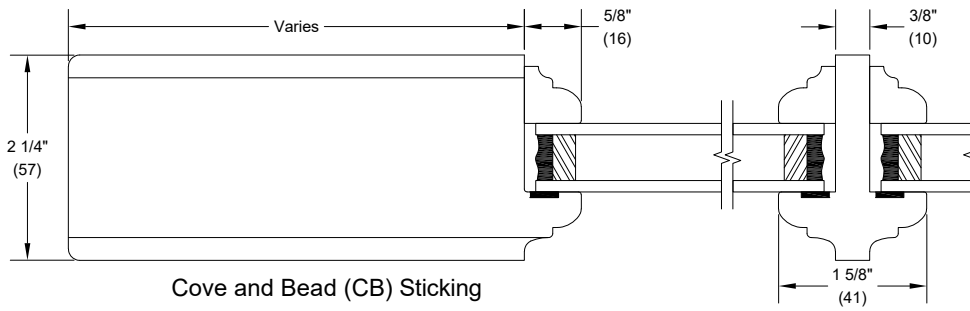
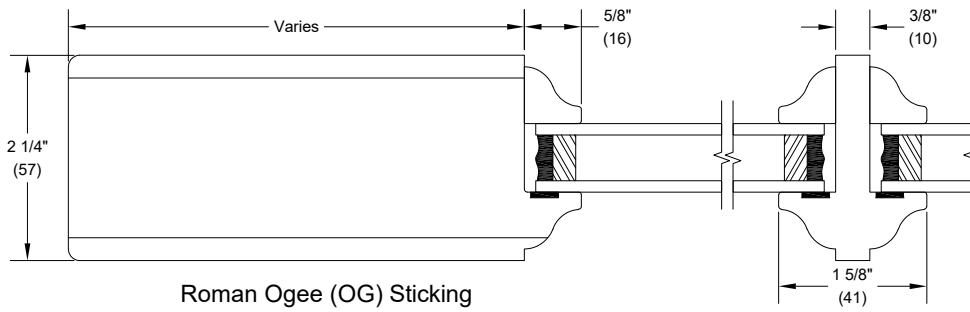
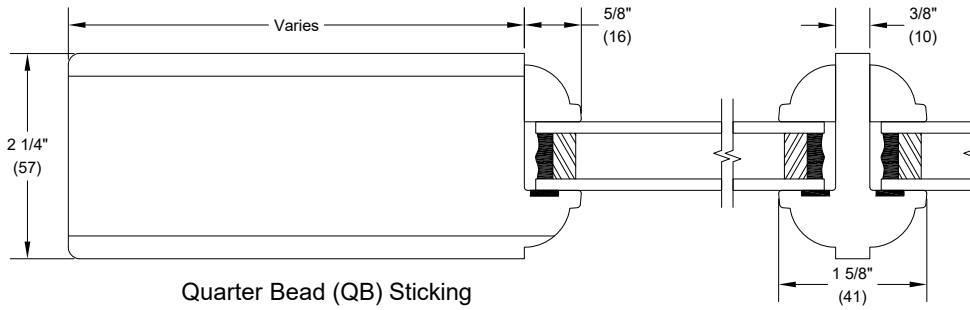


Quarter Round (QR) Sticking

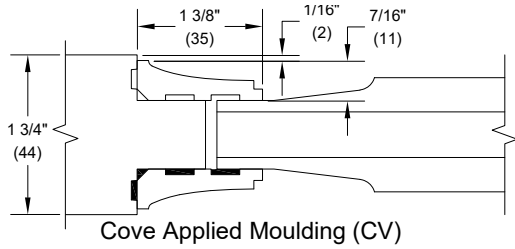


Bevel (BV) Sticking

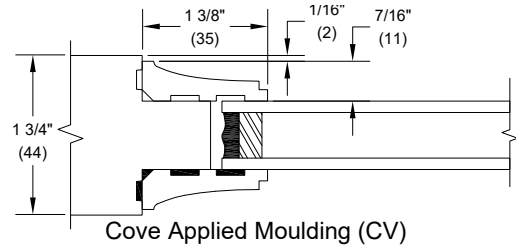
True Divided Lites (TDL) Options – 2-1/4" Door



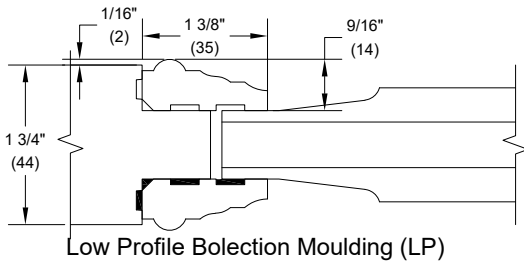
Exterior Applied Moulding Options – 1-3/4" Door



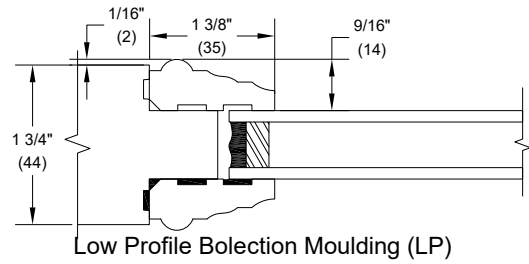
Cove Applied Moulding (CV)



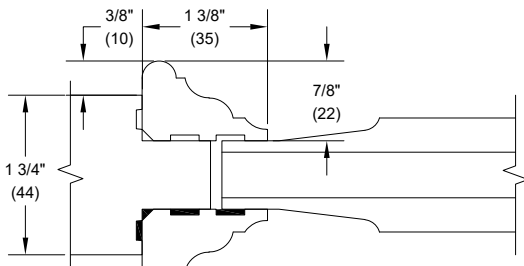
Cove Applied Moulding (CV)



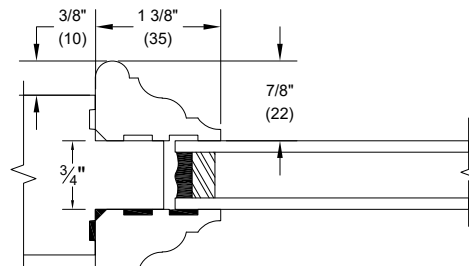
Low Profile Bolection Moulding (LP)



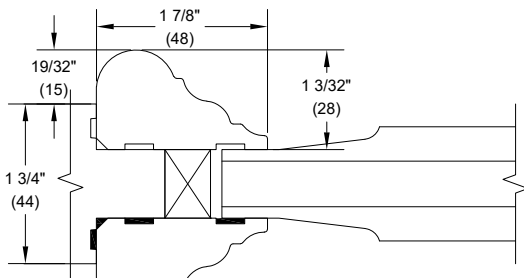
Low Profile Bolection Moulding (LP)



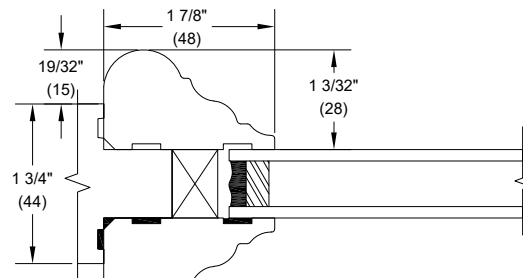
Bolection Moulding (BM)



Bolection Moulding (BM)

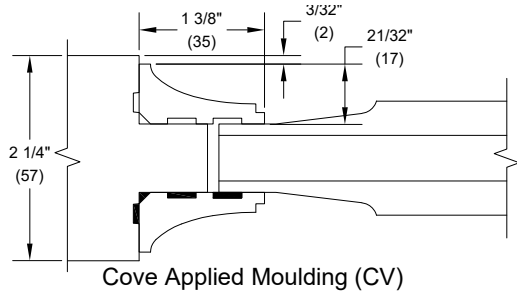


Big Bolection Moulding (BBM)

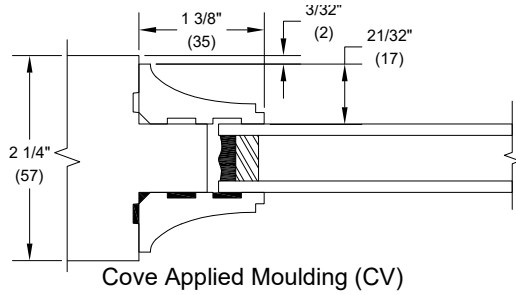


Big Bolection Moulding (BBM)

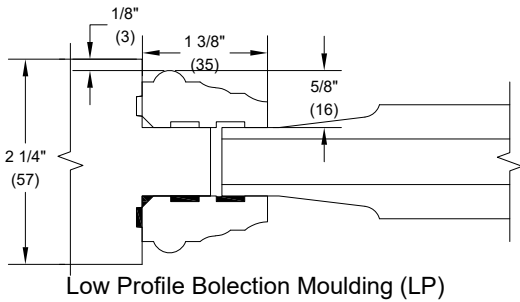
Exterior Applied Moulding Options – 2-1/4" Door



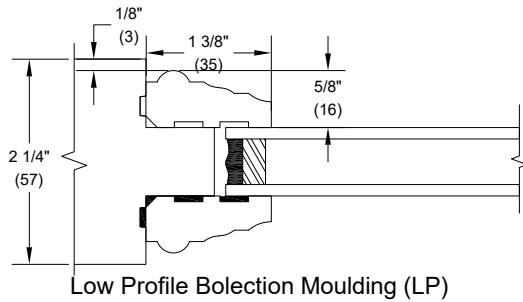
Cove Applied Moulding (CV)



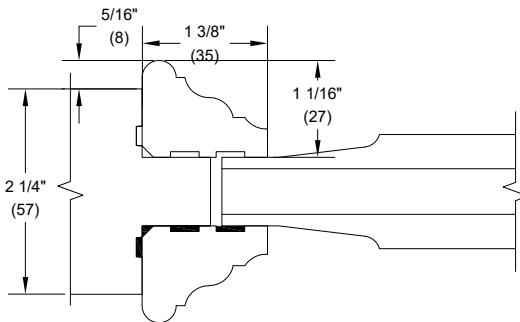
Cove Applied Moulding (CV)



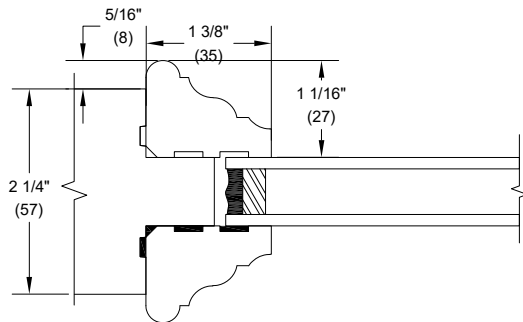
Low Profile Bolection Moulding (LP)



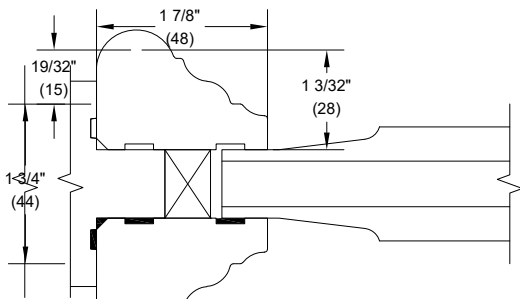
Low Profile Bolection Moulding (LP)



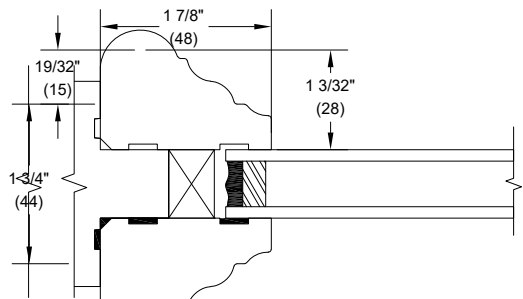
Bolection Moulding (BM)



Bolection Moulding (BM)

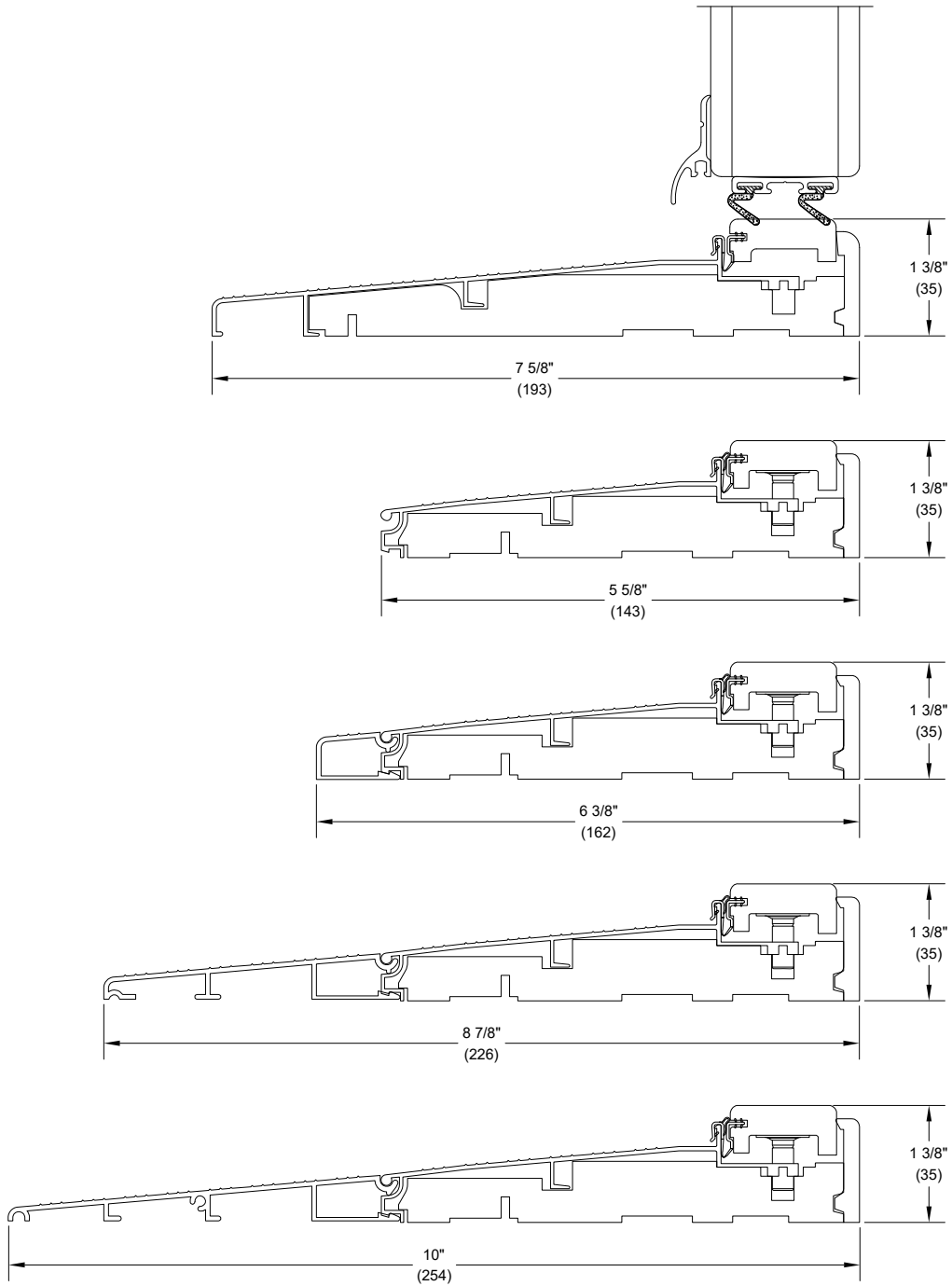


Big Bolection Moulding (BBM)

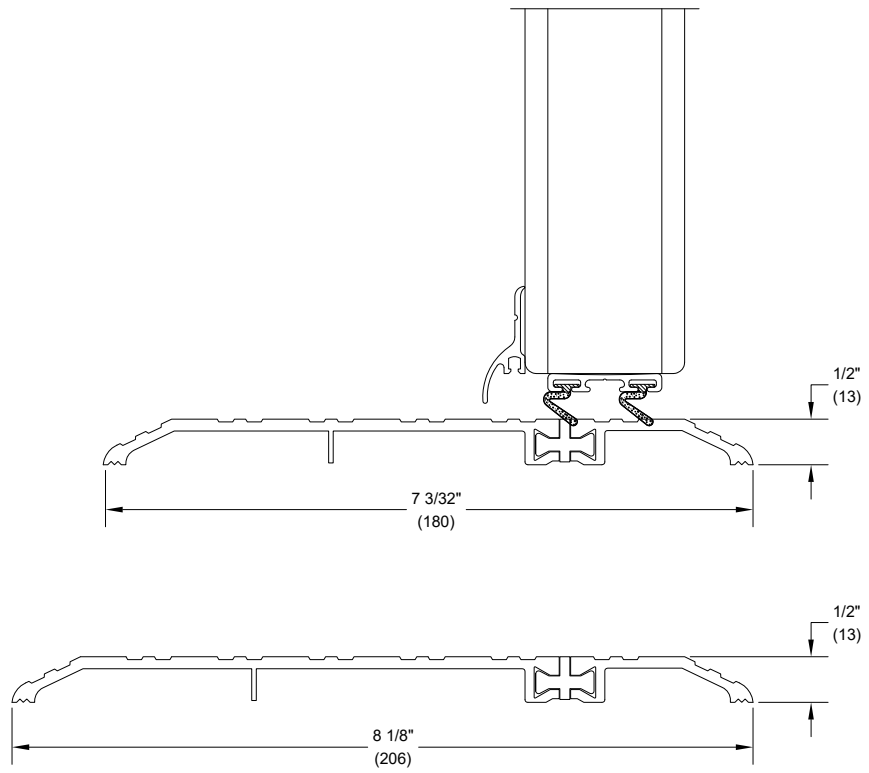


Big Bolection Moulding (BBM)

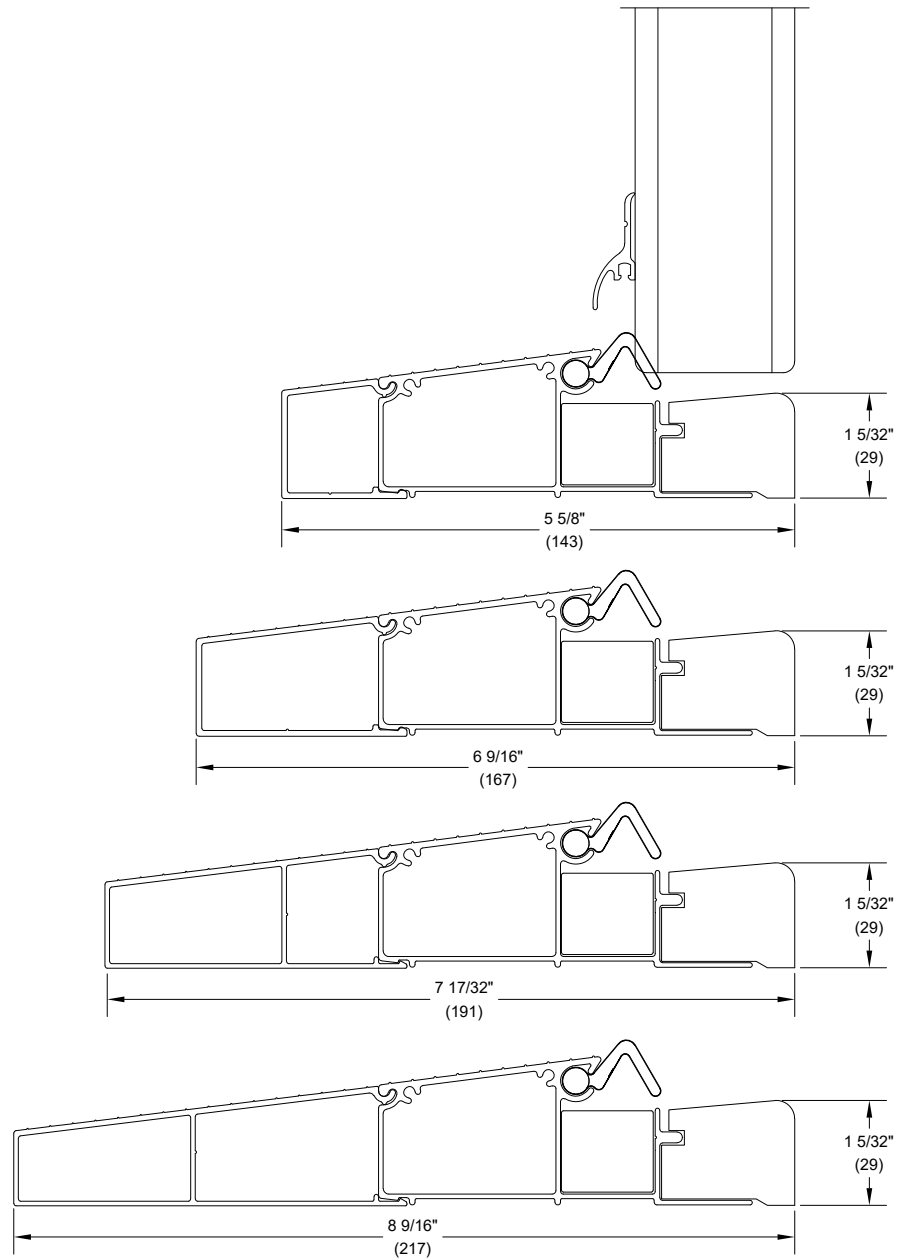
Sill Options – Oak Adjustable



Sill Options – ADA

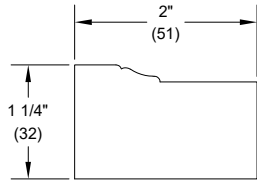


Sill Options – Hydrosill™

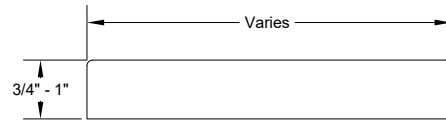


Accessories

Casings

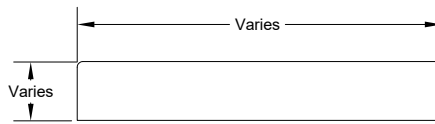


Brick Mould Casing



S4S Casing

Mull Cover



Mull Cover

Sash Stops



Square



Traditional



Metal Pemko 3452



Wood

Door Bottom



Door Bottom

Dentil Shelf Options

